



6/19/2023, 2:55:31 PM

PR23-0163

Neal Mazzei



DEPARTMENT OF REGULATORY AND ECONOMIC RESOURCES (RER)  
BOARD AND CODE ADMINISTRATION DIVISION

**NOTICE OF ACCEPTANCE (NOA)**

MIAMI-DADE COUNTY  
PRODUCT CONTROL SECTION

11805 SW 26 Street, Room 208  
Miami, Florida 33175-2474  
T (786) 315-2590 F (786) 315-2599

[www.miamidade.gov/economy](http://www.miamidade.gov/economy)

**Eagle Roofing Products LLC**  
1575 East C.R. 470  
Sumterville, FL 33585

**SCOPE:**

This NOA is being issued under the applicable rules and regulations governing the use of construction materials. The documentation submitted has been reviewed and accepted by Miami-Dade County RER -Product Control Section to be used in Miami-Dade County and other areas where allowed by the Authority Having Jurisdiction (AHJ).

This NOA shall not be valid after the expiration date stated below. The Miami-Dade County Product Control Section (in Miami-Dade County) and/or the AHJ (in areas other than Miami-Dade County) reserve the right to have this product or material tested for quality assurance purposes. If this product or material fails to perform in the accepted manner, the manufacturer will incur the expense of such testing and the AHJ may immediately revoke, modify, or suspend the use of such product or material within their jurisdiction. RER reserves the right to revoke this acceptance, if it is determined by Miami-Dade County Product Control Section that this product or material fails to meet the requirements of the applicable building code.

This product is approved as described herein, and has been designed to comply with the Florida Building Code including the High Velocity Hurricane Zone of the Florida Building Code.

**DESCRIPTION: Low Profile Concrete Tile**

**LABELING:** Each unit shall bear a permanent label with the manufacturer's name or logo, city, state and following statement: "Miami-Dade County Product Control Approved", unless otherwise noted herein.

**RENEWAL** of this NOA shall be considered after a renewal application has been filed and there has been no change in the applicable building code negatively affecting the performance of this product.

**TERMINATION** of this NOA will occur after the expiration date or if there has been a revision or change in the materials, use, and/or manufacture of the product or process. Misuse of this NOA as an endorsement of any product, for sales, advertising or any other purposes shall automatically terminate this NOA. Failure to comply with any section of this NOA shall be cause for termination and removal of NOA.

**ADVERTISEMENT:** The NOA number preceded by the words Miami-Dade County, Florida, and followed by the expiration date may be displayed in advertising literature. If any portion of the NOA is displayed, then it shall be done in its entirety.

**INSPECTION:** A copy of this entire NOA shall be provided to the user by the manufacturer or its distributors and shall be available for inspection at the job site at the request of the Building Official.

This NOA renews NOA #19-1030.05 and consists of pages 1 through 11.

The submitted documentation was reviewed by Alex Tigera.



NOA No. 21-0315.03  
Expiration Date: 10/05/26  
Approval Date: 05/06/21  
Page 1 of 11

**ROOFING ASSEMBLY APPROVAL**

**Category:** Roofing  
**Sub Category:** Roofing Tiles  
**Material:** Concrete

**1. SCOPE:**

This approves a new roofing system using “**Low Profile Concrete Tile**” as manufactured by **Eagle Roofing Products LLC** in **Sumterville, FL** and described in Section 2 of this Notice of Acceptance. For use in locations where the pressure requirements, as determined by applicable Building Code, do not exceed the design pressure values obtained by calculations in compliance with RAS 127 using the values listed in section 4 herein. The attachment calculations shall be done as a moment based system.

**2. PRODUCT DESCRIPTION:**

<u>Manufactured by Applicant</u>	<u>Dimensions</u>	<u>Test Specifications</u>	<u>Product Description</u>
<b>Low Profile Concrete Tile</b>	Length = 17" Width = 12 ¼" Thickness = ½"	TAS 112 Type 3a Class III	Flat profile concrete roof tile equipped with two nail holes. For adhesive set, direct deck or battened nail-on applications.
<b>Trim Pieces</b>	Length = varies Width = varies varying thickness	TAS 112	Accessory trim, concrete roof pieces for use at hips, rakes and ridges. Manufactured for each tile profile.

**2.1 PRODUCTS MANUFACTURED BY OTHERS**

<u>Product Name</u>	<u>Product Description</u>	<u>Manufacturer (With Current NOA)</u>
ICP Adhesives Polyset® AH-160	Two component polyurethane foam adhesive.	ICP Adhesives and Sealants, Inc.
TILE BOND™ Roof Tile Adhesive	Single component polyurethane foam roof tile adhesive.	DuPont de Nemours, Inc.
DAP Foam Touch N Seal StormBond® 2 Roof Tile Adhesive	Two component polyurethane foam adhesive.	DAP Foam, Inc.

**2.2 MANUFACTURING LOCATION**

2.2.1. Sumterville, FL





## 2.3 EVIDENCE SUBMITTED:

<u>Test Agency</u>	<u>Test Identifier</u>	<u>Test Name/Report</u>	<u>Date</u>
PRI Asphalt Technologies	ERPF-001-02-01	TAS 112	Aug. 2006
Redland Technologies	7161-03 Appendix III	Static Uplift Testing TAS 102	Dec. 1991
Redland Technologies	7161-03 Appendix III	Static Uplift Testing TAS 102(A)	Dec. 1991
Redland Technologies	7161-03 Appendix II	Wind Tunnel Testing TAS 108 (Nail-On)	Dec. 1991
Redland Technologies	P0402	Withdrawal Resistance Testing of screw vs. smooth shank nails	Sept. 1993
Redland Technologies	Letter Dated Aug. 1, 1994	Wind Tunnel Testing TAS 108 (Nail-On)	Aug. 1994
Redland Technologies	P09647-01	Wind Tunnel Testing TAS 108 (Mortar Set)	Aug. 1994
The Center for Applied Engineering, Inc.	94-084	Static Uplift Testing TAS 101 (Mortar Set)	May 1994
The Center for Applied Engineering, Inc.	25-7094-(2, 5, & 8)	Static Uplift Testing TAS 102	Oct. 1994
The Center for Applied Engineering, Inc.	25-7183-(5 thru 6)	Static Uplift Testing TAS 102	Feb. 1995
The Center for Applied Engineering, Inc.	25-7214-(1, 5, & 8)	Static Uplift Testing TAS 102	March, 1995
The Center for Applied Engineering, Inc.	25-7487-2	Static Uplift Testing TAS 102	Dec. 1995
The Center for Applied Engineering, Inc.	25-7496-(1 & 4)	Static Uplift Testing TAS 102	Dec. 1995
The Center for Applied Engineering, Inc.	25-7804-6	Static Uplift Testing TAS 102	Sep. 1996
Celotex Corporation Testing Service	520109-1 520111-4	Static Uplift Testing TAS 101	Dec. 1998
Celotex Corporation Testing Service	520191-1	Static Uplift Testing TAS 101	March 1999
Walker Engineering, Inc.	Calculations	Aerodynamic Multiplier	Sep. 2006
Walker Engineering, Inc.	Calculations	Restoring Moments Due to Gravity	Sep. 2006
ATL of South Florida	RT0317.02-21	TAS-112	03/27/21
PRI Construction Materials Technologies	DAPF-001-02-13 DAPF-004-02-01 DAPF-004-02-02	Static Uplift Resistance Testing TAS 101 (Adhesive)	11/30/17 07/09/18 07/09/18
NEMO ETC, LLC	4c-DPBS-20- LSOTM01.D.R1	TAS 101	12/17/20

### 3 LIMITATIONS:

- 3.1 Fire classification is not part of this acceptance.
- 3.2 For mortar or adhesive set tile applications, a static field uplift test in accordance with TAS 106 shall be required, refer to applicable Building Code.
- 3.3 Applicant shall retain the services of a Miami-Dade County Certified Laboratory to perform quarterly test in accordance with TAS 112, appendix 'A'. Such testing shall be submitted to the Miami-Dade County Product Control Section for review.
- 3.4 Minimum underlayment shall be in compliance with the applicable Roofing Applications Standards listed section 4.1 herein.
- 3.5 30/90 hot mopped underlayment applications may be installed perpendicular to the roof slope unless stated otherwise by the underlayment material manufacturers published literature.
- 3.6 This acceptance is for wood deck applications. Minimum deck requirements shall be in compliance with applicable Building Code.
- 3.7 All products listed herein shall have a quality assurance audit in accordance with the Florida Building Code Rule 61G20-3 of the Florida Administrative Code.

### 4 INSTALLATION:

- 4.1 Eagle Roofing Products LLC Low Profile Flat Concrete Roof Tiles and its components shall be installed in strict compliance with Roofing Application Standard RAS 118, RAS 119 and RAS 120.
- 4.2 Data For Attachment Calculations

Table 1: Average Weight (W) and Dimensions (l x w )			
Tile Profile	Weight-W (lbf)	Length-l (ft)	Width-w (ft)
Low Profile Concrete Tile	11.4	1.42	1.03

Table 2: Aerodynamic Multipliers - $\lambda$ (ft <sup>3</sup> )		
Tile Profile	$\lambda$ (ft <sup>3</sup> ) Batten Application	$\lambda$ (ft <sup>3</sup> ) Direct Deck Application
Low Profile Concrete Tile	0.301	0.278

Table 3: Restoring Moments due to Gravity - $M_g$ (ft-lbf)										
Tile Profile	2" & 3":12		4":12"		5":12"		6":12"		7":12" or greater	
	Battens	Direct Deck	Battens	Direct Deck	Battens	Direct Deck	Battens	Direct Deck	Battens	Direct Deck
Low Profile Concrete Tile	N/A	7.71	7.37	7.59	7.22	7.44	7.05	7.27	6.86	7.07





**Table 4: Attachment Resistance Expressed as a Moment -  $M_r$  (ft-lbf)  
for Nail-On Systems**

Tile Profile	Fastener Type	Direct Deck (min 15/32" plywood)	Direct Deck (min. 19/32" plywood)	Battens
Low Profile Concrete Tile	2-10d Ring Shank Nails	30.9	38.1	17.2
	1-10d Smooth or Screw Shank Nail	7.3	9.8	4.9
	2-10d Smooth or Screw Shank Nails	14.0	18.8	7.4
	1 #8 Screw	30.8	30.8	18.2
	2 #8 Screw	51.7	51.7	24.4
	1-10d Smooth or Screw Shank Nail (Field Clip)	24.3	24.3	24.2
	1-10d Smooth or Screw Shank Nail (Eave Clip)	19.0	19.0	22.1
	2-10d Smooth or Screw Shank Nails (Field Clip)	35.5	35.5	34.8
	2-10d Smooth or Screw Shank Nails (Eave Clip)	31.9	31.9	32.2
	2-10d Ring Shank Nails <sup>1</sup>	50.3	65.5	48.3

1. Installation with a 4" tile headlap and fasteners are located a min. of 2½" from head of tile.

**Table 5: Attachment Resistance Expressed as a Moment  $M_r$  (ft-lbf)  
for Two Patty Adhesive Set Systems**

Tile Profile	Tile Application <sup>1</sup>	Minimum Attachment Resistance
Low Profile Concrete Tile	Dupont De Nemours TILE BOND™ Roof Tile Adhesive	63 <sup>2</sup>
	Dupont De Nemours TILE BOND™ Roof Tile Adhesive	65 <sup>3</sup>
	ICP Adhesives Polyset® AH-160	31.3 <sup>4</sup>
	DAP Foam Touch N Seal StormBond® 2 Roof Tile Adhesive	109 <sup>5</sup>

1 See manufactures component approval for installation requirements.  
 2 Dupont De Nemours TILE BOND™ Roof Tile Adhesive weight per patty 8 grams.  
 3 Dupont De Nemours TILE BOND™ Roof Tile Adhesive weight per patty 16 grams.  
 4 ICP Adhesives Polyset® AH-160 weight per patty 8 grams.  
 5 DAP Foam Touch N Seal StormBond® 2 Roof Tile Adhesive weight per patty 8 grams.

**\*NOTE \***  
 For # 2 placement see Detail 1 A on page 10 of 11  
 For # 3 placement see Detail 1 B on page 11 of 11



**Table 6: Attachment Resistance Expressed as a Moment - Mr (ft-lbf)  
for Single Patty Adhesive Set Systems**

Tile Profile	Tile Application <sup>6</sup>	Minimum Attachment Resistance
Low Profile Concrete Tile	ICP Adhesives Polyset® AH-160	118.9 <sup>7</sup>
	ICP Adhesives Polyset® AH-160	40.4 <sup>8</sup>
	DAP Foam Touch N Seal StormBond® 2 Roof Tile Adhesive	73 <sup>9</sup>
	DAP Foam Touch N Seal StormBond® 2 Roof Tile Adhesive	44 <sup>10</sup>
6 See manufactures component approval for installation requirements.		
7 ICP Adhesives Polyset · AH-160 Large paddy placement of 45 grams.		
8 ICP Adhesives Polyset · AH-160 Medium paddy placement of 24 grams.		
9 DAP Foam Touch N Seal StormBond® 2 Roof Tile Adhesive weight per paddy 45 grams.		
10 DAP Foam Touch N Seal StormBond® 2 Roof Tile Adhesive weight per paddy 24 grams.		

**Table 7: Attachment Resistance Expressed as a Moment - Mr (ft-lbf)  
for Mortar Set Systems**

Tile Profile	Tile Application	Attachment Resistance
Low Profile Concrete Tile	Mortar Set <sup>11</sup>	43.9
11 Tile-Tite Roof Tile Mortar.		

**5. LABELING :**

All tiles shall bear the imprint or identifiable marking of the manufacturer's name or logo (See **Detail Below**), or following statement: "Miami-Dade County Product Control Approved".



(LOCATED ON UNDERSIDE OF TILE)

OR

**EAGLE FL**

(LOCATED ON FRONTSIDE OF TILE)



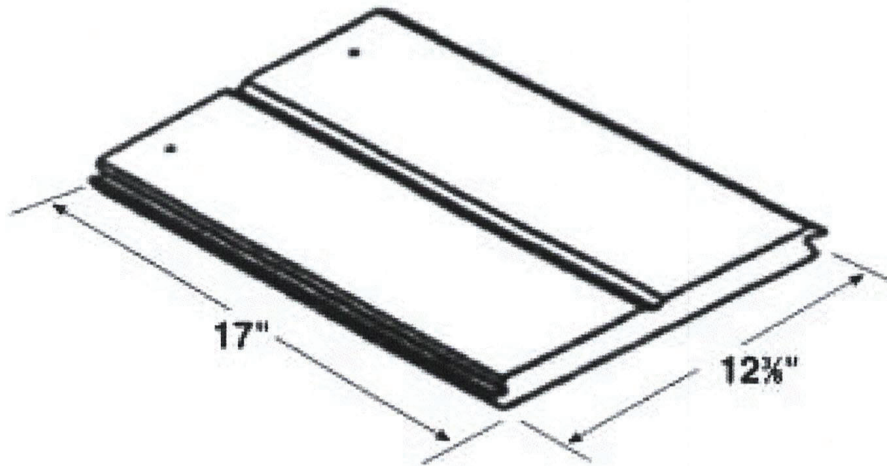
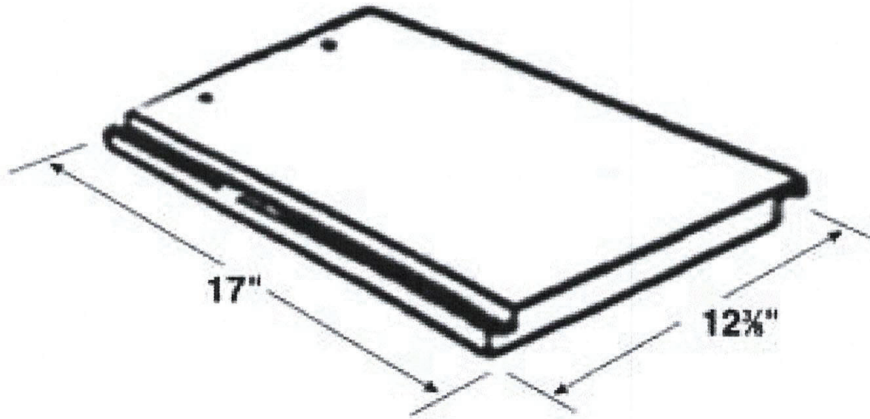
NOA No. 21-0315.03  
Expiration Date: 10/05/26  
Approval Date: 05/06/21  
Page 6 of 11



**6. BUILDING PERMIT REQUIREMENTS:**

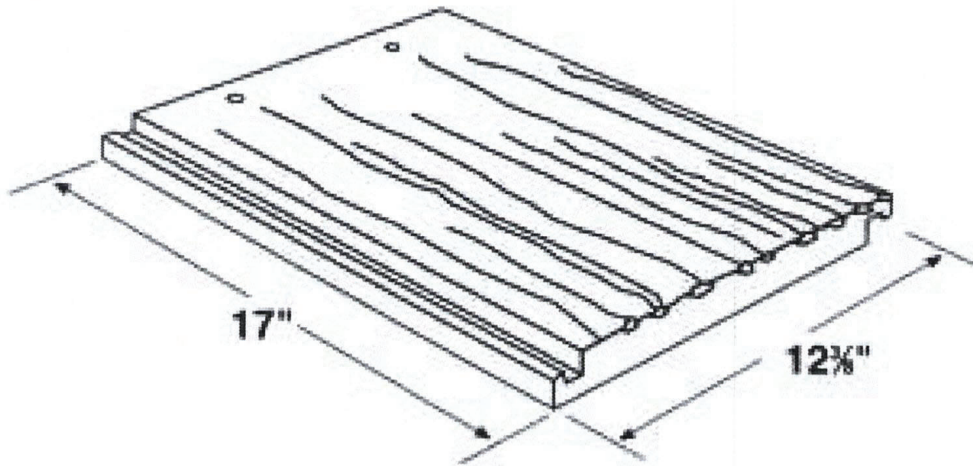
- 6.1 Application for building permit shall be accompanied by copies of the following:
  - 6.1.1 This Notice of Acceptance.
  - 6.1.2 Any other documents required by AHJ or applicable Building Code in order to properly evaluate the installation of this system.

**PROFILE DRAWING**

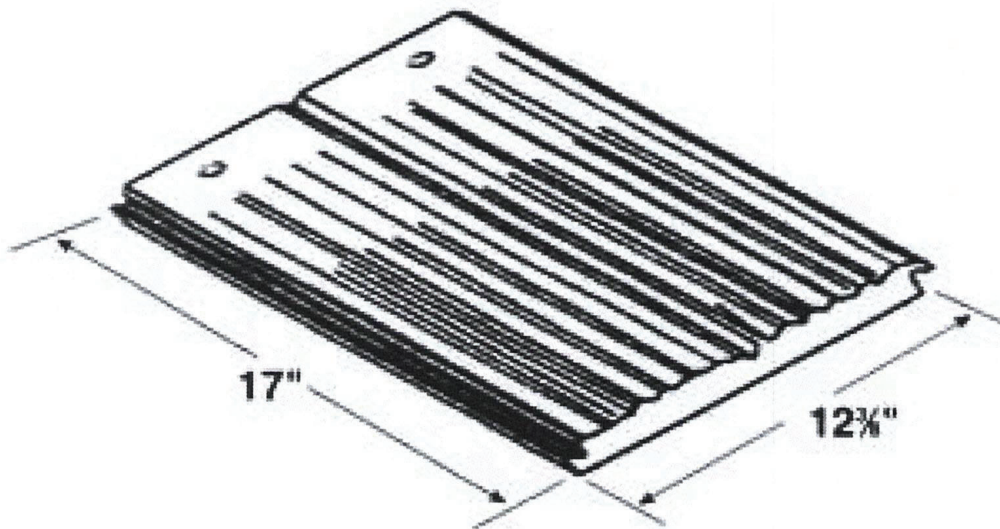


**LOW PROFILE ROOF TILE**





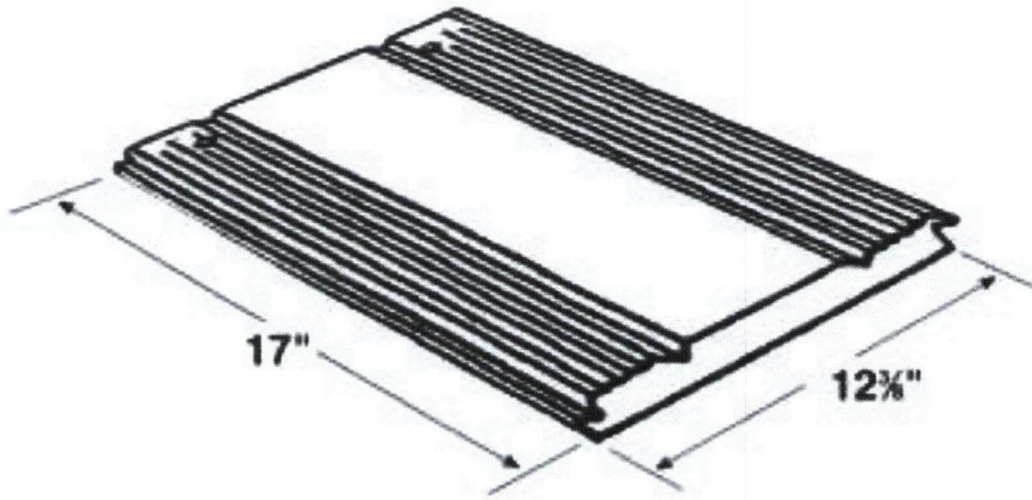
LOW PROFILE ROOF TILE



LOW PROFILE ROOF TILE



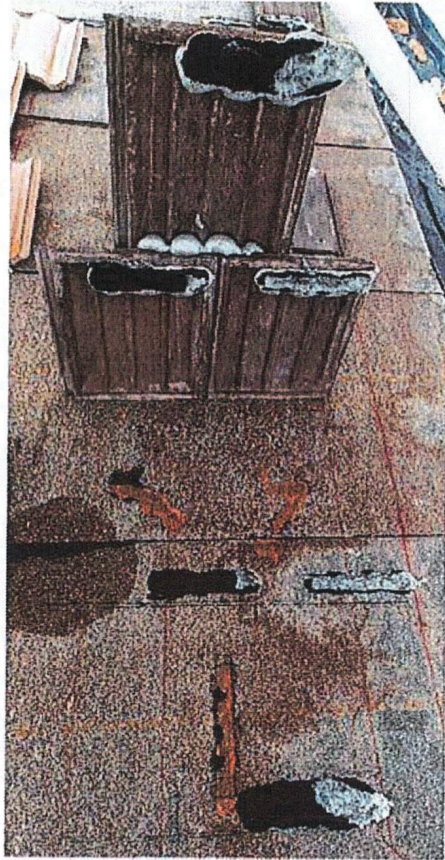




LOW PROFILE ROOF TILE



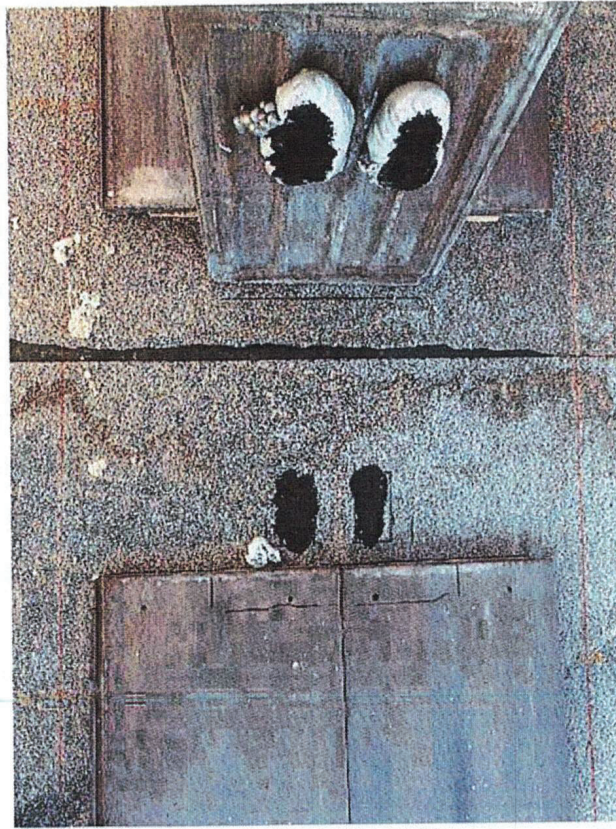
**DETAIL 1 A**



Type	Placement	Min. Tile Contact Area, in <sup>2</sup> per Tile
Interdependent	<b>Attachment:</b> Two (2) beads/paddys, minimum 1-in. x 1-in. x 8-in. <b>Adhesive Rates:</b> 8 gram/paddy	32



**DETAIL 1B**



Placement	Min. Tile Contact Area, in <sup>2</sup> per Tile
<b>Attachment:</b> Two (2) beads/paddys, minimum 2-in. x 2-in. x 4-in., starting 1" back from head of underlying tile <b>Adhesive Rates:</b> 16 gram/paddy	16

**END OF THIS ACCEPTANCE**





6/19/2023, 2:54:39 PM

PR23-0163

Neal Mazzei



DEPARTMENT OF REGULATORY AND ECONOMIC RESOURCES (RER)  
BOARD AND CODE ADMINISTRATION DIVISION

MIAMI-DADE COUNTY  
PRODUCT CONTROL SECTION

11805 SW 26 Street, Room 208  
Miami, Florida 33175-2474

T (786) 315-2590 F (786) 315-2599

[www.miamidade.gov/economy](http://www.miamidade.gov/economy)

## NOTICE OF ACCEPTANCE (NOA)

**Boral Roofing LLC.**  
7575 Irvine Center Drive, Suite 100  
Irvine, CA 92618

### SCOPE:

This NOA is being issued under the applicable rules and regulations governing the use of construction materials. The documentation submitted has been reviewed and accepted by Miami-Dade County RER - Product Control Section to be used in Miami Dade County and other areas where allowed by the Authority Having Jurisdiction (AHJ).

This NOA shall not be valid after the expiration date stated below. The Miami-Dade County Product Control Section (In Miami Dade County) and/or the AHJ (in areas other than Miami Dade County) reserve the right to have this product or material tested for quality assurance purposes. If this product or material fails to perform in the accepted manner, the manufacturer will incur the expense of such testing and the AHJ may immediately revoke, modify, or suspend the use of such product or material within their jurisdiction. RER reserves the right to revoke this acceptance, if it is determined by Miami-Dade County Product Control Section that this product or material fails to meet the requirements of the applicable building code.

This product is approved as described herein, and has been designed to comply with the Florida Building Code including the High Velocity Hurricane Zone of the Florida Building Code.

### DESCRIPTION: BORAL TileSeal

**LABELING:** Each unit shall bear a permanent label with the manufacturer's name or logo, city, state and following statement: "Miami-Dade County Product Control Approved", unless otherwise noted herein.

**RENEWAL** of this NOA shall be considered after a renewal application has been filed and there has been no change in the applicable building code negatively affecting the performance of this product.

**TERMINATION** of this NOA will occur after the expiration date or if there has been a revision or change in the materials, use, and/or manufacture of the product or process. Misuse of this NOA as an endorsement of any product, for sales, advertising or any other purposes shall automatically terminate this NOA. Failure to comply with any section of this NOA shall be cause for termination and removal of NOA.

**ADVERTISEMENT:** The NOA number preceded by the words Miami-Dade County, Florida, and followed by the expiration date may be displayed in advertising literature. If any portion of the NOA is displayed, then it shall be done in its entirety.

**INSPECTION:** A copy of this entire NOA shall be provided to the user by the manufacturer or its distributors and shall be available for inspection at the job site at the request of the Building Official.

This new NOA consists of pages 1 through 4.  
The submitted documentation was reviewed by Alex Tigera.



NOA No.: 18-0502.03  
Expiration Date: 08/02/23  
Approval Date: 08/02/18  
Page 1 of 4



**ROOFING COMPONENT APPROVAL**

**Category:** Roofing  
**Sub-Category:** Underlayment  
**Material:** SBS

**PRODUCTS DESCRIPTION:**

<u>Product</u>	<u>Dimensions</u>	<u>Test Specification</u>	<u>Product Description</u>
BORAL TileSeal	36" x 36' rolls 36" x 72' rolls	TAS 103 ASTM D1970	SBS self-adhering asphalt sheet material with a white glass re-enforced polyester surfacing fabric; for use as an underlayment in sloped roof assemblies.
Boral Citadel Plus	36" x 72' rolls	ASTM D1970	SBS self-adhering asphalt sheet material with a poly film-facer; for use as a mid-ply underlayment in sloped roof assemblies.

**MANUFACTURIGN LOCATION:**

1. Brentwood, NH.
2. Houston, TX.

**EVIDENCE SUBMITTED:**

<u>Test Agency</u>	<u>Test Identifier</u>	<u>Test Name/Report</u>	<u>Date</u>
PRI Construction Materials Technologies, LLC.	OCF-356-02-04	ASTM D1623	07/25/18
	OCF-356-02-02	TAS 103	07/24/18
	OCF-356-02-01	ASTM D1970	07/26/18
	OCF-424-02-04	ASTM D1623	07/25/18
	OCF-424-02-01	ASTM D1970	07/25/18
	OCF-424-02-03	TAS 103	07/25/18
Trinity ERD	BRLRF-SC16810.11.17	ASTM D 1876	11/28/17



**APPROVED ASSEMBLIES:**

- Deck Type 1:** Wood, non-insulated
- Deck Description:** 1<sup>5</sup>/<sub>32</sub>" or greater plywood or wood plank
- System E(1):** Anchor sheet mechanically fastened deck, membrane adhered.
- Base Sheet:** One or more plies of ASTM D226 Type II or ASTM D2626 with a minimum 4" head lap and a 6" end lap mechanically fastened to deck with approved nails and tin caps 6" o.c. at the laps and two staggered rows 12" o.c. the field of the roll.
- Ply Sheet (Optional):** Apply one layer of Boral Citadel Plus over Base sheet as per current approval.
- Membrane:** One or more plies of BORAL TileSeal Underlayment with a minimum 3" head lap and minimum 6" end lap. Place the first course of membrane parallel to the eave, rolling the membrane to obtain maximum contact. Remove the release membrane as the membrane is applied. Vertical strapping of the roof with BORAL TileSeal Underlayment is acceptable. All end laps and laps without black selvage area shall be sealed under lap using an SBS modified mastic.
- Note:** When used in Tile roof systems BORAL TileSeal Underlayment shall be back nailed to deck with approved annular ring shank nails and tin caps at a maximum 12" o.c. at the side laps. No nails or tin caps shall be exposed.
- Surfacing:** Approved for Adhered Roof Tile using TILE BOND or AH-160, Mechanically Fastened Roof Tile, Metal Roofing, Wood Shake & Shingles, and Asphaltic Shingle assemblies.



**LIMITATIONS:**

1. Fire classification is not part of this acceptance.
2. This acceptance is for prepared roofing applications. Minimum deck requirements shall be in compliance with applicable building code. BORAL TileSeal underlayment shall be installed in strict compliance with applicable Building Code.
3. BORAL TileSeal underlayment shall be applied to a smooth, clean and dry surface with deck free of irregularities.
4. BORAL TileSeal underlayment shall not be applied over an existing roof membrane as a recover, but may be applied over a roofing Base/Anchor sheet underlayment.
5. BORAL TileSeal underlayment shall not be left exposed as a temporary roof for longer than 180 days of application.
6. The standard maximum roof pitch for BORAL TileSeal underlayment shall be 6:12 when tiles are loaded directly to the BORAL TileSeal underlayment; loading boards or battens are required on roof pitches greater than 6:12”.
7. Refer to Prepared Roofing system Product Control Notice of Acceptance for listed approval of this product with specific prepared roofing products.
8. Tiles shall be stored on battens on roof pitches greater than 6:12”.
9. BORAL TileSeal underlayment may be used with any approved roof covering Notice of Acceptance listing BORAL TileSeal underlayment as a component part of an assembly in the Notice of Acceptance. If BORAL TileSeal underlayment is not listed, a request may be made to the Authority Having Jurisdiction (AHJ) or the Miami-Dade County Product Control Department for approval provided that appropriate documentation is provided to detail compatibility of the products, wind uplift resistance, and fire testing results.
10. All nails in the deck shall be carefully checked for protruding heads. Re-fasten any loose decking panels. Sweep the deck thoroughly to remove any dust and debris prior to application.
11. When applying the membrane in the valley, start at the low point and work to the high point, rolling the membrane from the center outward in both directions. For ridge applications, center the membrane and roll from the center outward in both directions.
12. Roll or broom the entire membrane surface so as to have 100% contact with the surface, giving special attention to overlap areas.
13. Flash vent pipes, stacks, chimneys and penetrations in compliance with Roof Assembly current Product Control Notice of Acceptance and applicable Building Code.
14. All protrusions or drains shall be initially taped with a 6" piece of underlayment. This target piece shall be pressed in place and formed around the protrusion to ensure a tight fit. A second layer of BORAL TileSeal underlayment shall be applied over the underlayment, and sealed using an SBS modified mastic.
15. All products listed herein shall have a quality assurance audit in accordance with the Florida Building Code and Rule 61G20-3 of the Florida Administrative Code.
16. All membranes or packaging shall bear the imprint or identifiable marking of the manufacturer's name or logo, city and state of manufacturing facility, and the following statement: "Miami-Dade County Product Control Approved" or the Miami-Dade County Product Control Seal as shown below



**END OF THIS ACCEPTANCE**



NOA No.: 18-0502.03  
Expiration Date: 08/02/23  
Approval Date: 08/02/18  
Page 4 of 4