

Page 1 of 3  
 SITE PLAN  
 DK/ltt

Date: 8-15-23

-MAXIMUM HEIGHT OF PILING WHEN ATTACHED TO DOCK IS 8'-6" AND 11'6" WHEN NOT ATTACHED  
 -NO PART OF THE BOAT LIFT TO EXCEED 5' ABOVE DOCK SURFACE  
 -PROPERTIES WITH SEAWALL - DOCK MAXIMUM HEIGHT TO EQUAL SEAWALL CAP  
 -PROPERTIES WITHOUT SEAWALL - DOCK SURFACE NOT TO EXCEED 5' ABOVE MHWL

"140' WIDE WATERWAY"

8'X21' = 168 SQ.FT.  
 4'X36' = 144 SQ.FT.  
 5'X36' = 180 SQ.FT.  
 DOCK TOTAL = 492 SQ.FT.

Permit # PB23-0956  
 REVIEWED FOR CODE COMPLIANCE  
 LONGBOAT KEY BUILDING DEPT.

SEP 06 2023

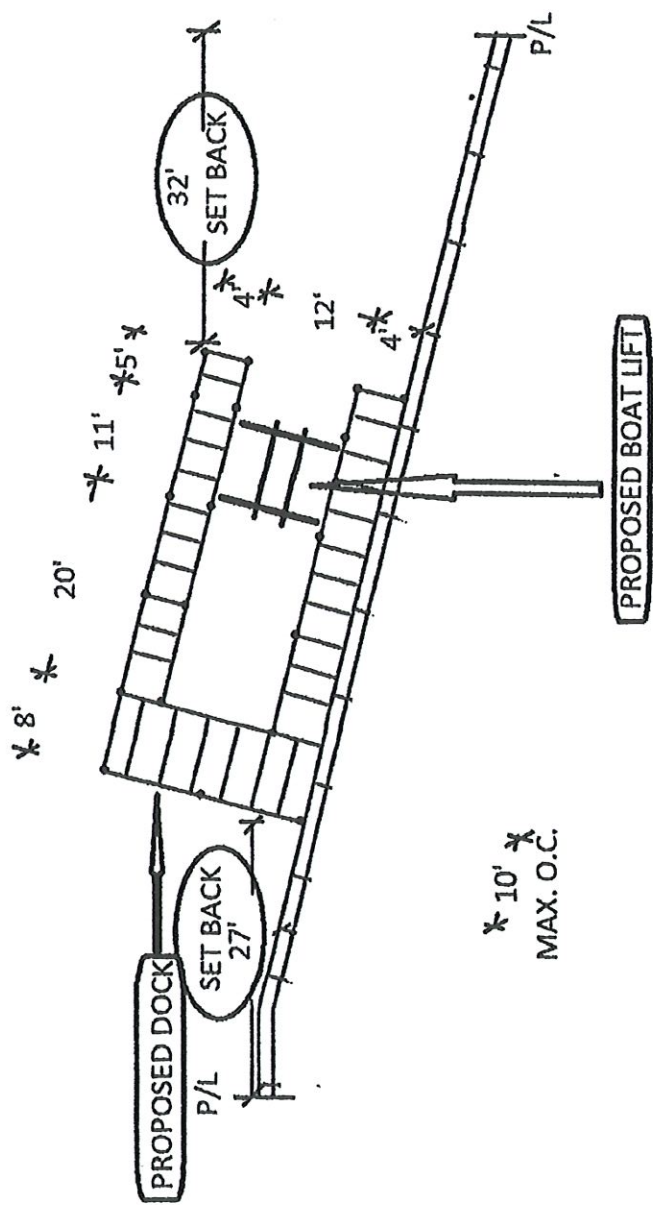
APPROVED

Reviewer: Nel

RECEIVED

AUG 17 2023

TOWN OF LONGBOAT KEY  
 Planning, Zoning & Building



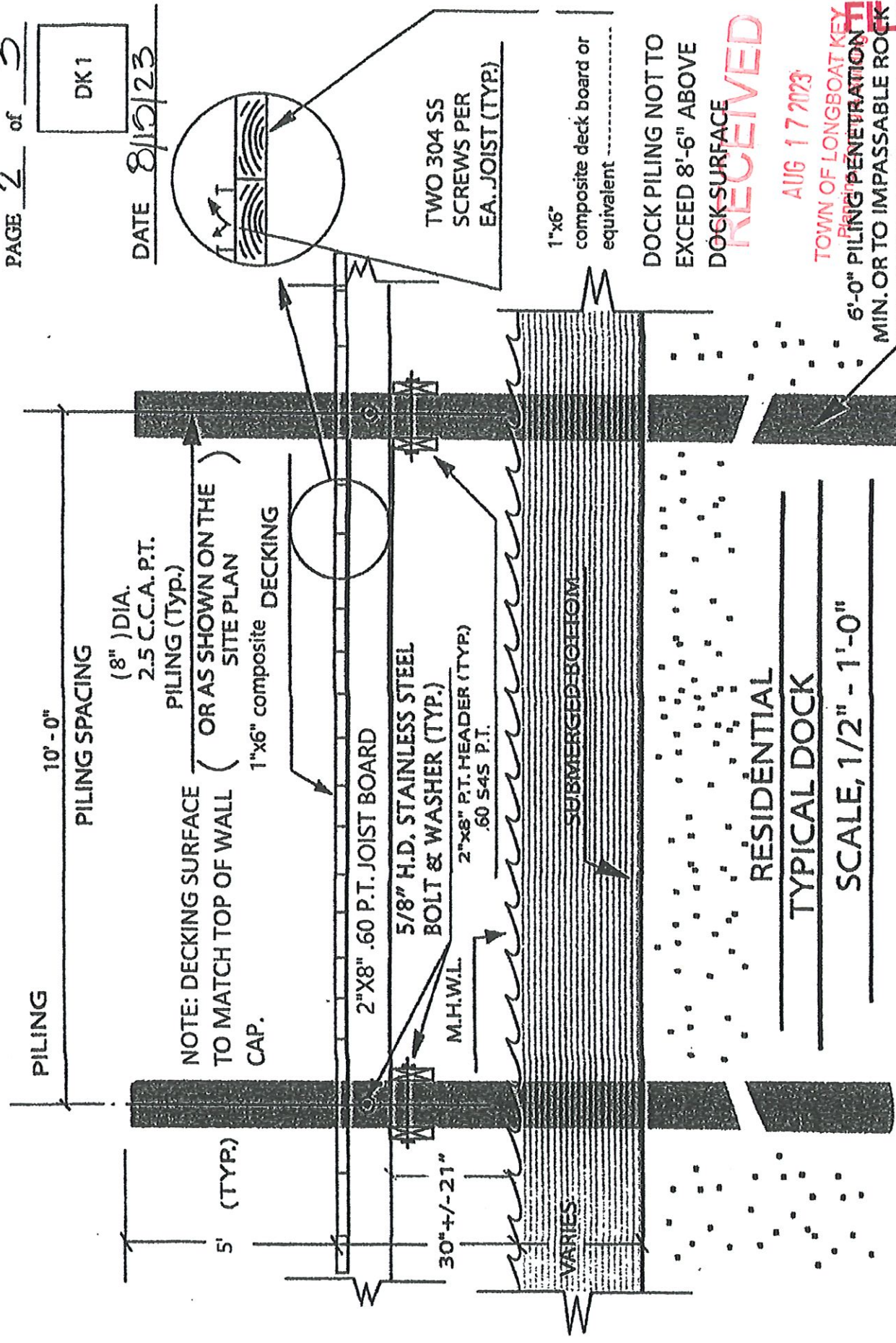
CUSTOM DOCK & DAVIT, INC.  
 PH.(941)923-1522/FAX(941)921-3702

Name: MIKE BIGELOW	DEP File#:
Add: 690 OLD COMPASS RD.	ACOE File#:
City: LBK FL 34228	Tel:
County:	Notes:



DK1

DATE 8/15/23



DOCK PILING NOT TO EXCEED 8'-6" ABOVE DOCK SURFACE

**RECEIVED**

AUG 17 2023

TOWN OF LONGBOAT KEY  
 6'-0" PILING PENETRATION MIN. OR TO IMPASSABLE ROCK

NAME: Michael Bigelow  
 ADDRESS: 190 Old Compass Rd.  
 CITY: Vek. n 34008

RESIDENTIAL  
 TYPICAL DOCK

SCALE, 1/2" = 1'-0"

\*OR AS SHOWN

CUSTOM DOCK & DAVIT, INC.



PAGE 2 of 2

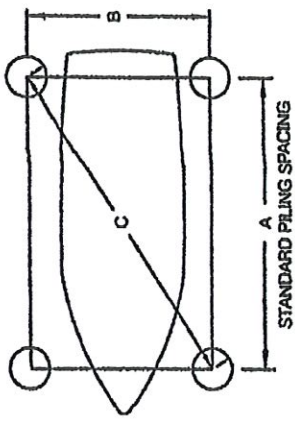
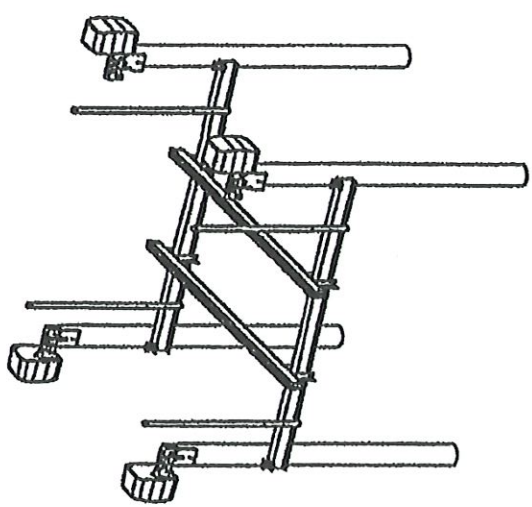
# BEAMLESS BOAT LIFT SPECIFICATIONS

## IMM Quality Boat Lifts

4 POST BOAT LIFTS WITH 2 CRADLE BEAMS AND 4 CABLES

ALL SPACING TO CENTER OF PILING

LIFT CAPACITY	A	B	C	RECOMMENDED MIN. PILE SIZE
7,000 LB	120"	144"	188"	10" DIA.
10,000 LB	120"	150"	192"	10" DIA.
13,000 LB	120"	150"	192"	10" DIA.
16,000 LB	120"	168"	206"	10" DIA.
20,000 LB	144"	192"	240"	10" DIA.
24,000 LB	144"	192"	240"	10" DIA.



**STRUCTURAL ENGINEERING REVIEW**

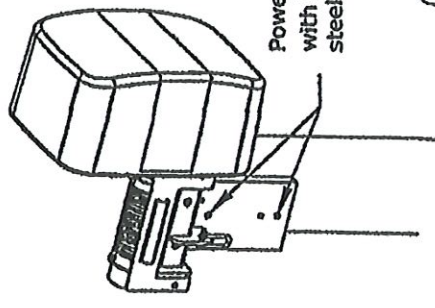
THIS CONSTRUCTION HAS BEEN DESIGNED AS A LIFTED VEHICLE SUPPORTING SYSTEM, WITH CALCULATED CAPACITY AND WIND LOADS IN CONFORMANCE WITH THE FLORIDA BUILDING CODE, 7th EDITION, 2002, SECTIONS 161.20, 161.21, 161.22, AND ASSOCIATED TABLES. MANUFACTURER'S DESIGN LOADS FOR BUILDINGS AND OTHER STRUCTURES TO WHICH THE WIND LOADS ASSOCIATED WITH AN ULTIMATE WIND SPEED OF 150 MPH, EXPOSURE 'C', RISK CATEGORY I, J.L. SANDERS, P.E. HAS BEEN APPLIED. THIS STRUCTURE IS NOT TO BE CONSIDERED AS A STRUCTURE TO WHICH THE WIND LOADS ASSOCIATED WITH ACCREDITED GEOTECHNICAL PRACTICES BASED ON DATA PROVIDED BY THE MANUFACTURER. THE STRUCTURAL DESIGN IS LIMITED TO THE MANUFACTURER'S DESIGN AND CONSTRUCTION AND IS NOT EXTENDED TO COVER ANY OTHER MANUFACTURED COMPONENTS. THE BOAT LIFTS DETECTED BY THESE DESIGN PRACTICES AND RELATED EXAMINATIONS WERE IDENTIFIED AS MANUFACTURED PRODUCTS FOR WHICH THE MANUFACTURER HAS NOT PROVIDED PROFESSIONAL ENGINEERING DESIGN AND CONSTRUCTION DOCUMENTS. THE PROFESSIONAL ENGINEER HAS NOT CONDUCTED VISUAL INSPECTIONS OF THE BOAT LIFTS OR THE PILING. VISUAL INSPECTIONS OF THE BOAT LIFTS AND PILING HAS BEEN DIGITALLY SIGNED BY J.L. SANDERS FOR THE DATE ADVANCED TO THIS SEALED COPY OF THIS DOCUMENT ARE NOT CONSIDERED SEALED AND SIGNED. THE SIGNATURE MUST BE VERIFIED ON ANY ELECTRONIC COPIES.

**J.L. SANDERS, P.E.**  
2515 Green Road NW  
Morrow, GA 30256  
233-671-1578

**Digitally signed by J.L. Sanders**  
Date: 2021.01.22  
10:35:18 -05'00'

**J.L. SANDERS, P.E.**  
Reg. No. 02381  
Date

NO. 65381  
STATE OF FLORIDA  
PROFESSIONAL ENGINEER



Powerheads to be thru-bolted with 3/8" minimum stainless steel 316 AISI bolts

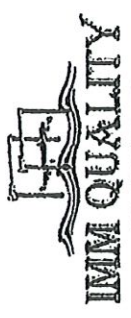
IMM BOAT LIFTS, INC. IS NOT RESPONSIBLE FOR THE DOCK STRUCTURE OR ITS ABILITY TO RESIST THE APPLIED LOADS OF THE BOAT LIFT. THE SITE SHOULD BE VERIFIED BY A LICENSED MARINE CONTRACTOR. APPLIED LOADS WILL BE PROVIDED UPON REQUEST.

LIFT CAPACITY	CRADLE SIZE L x W x H	WINDZ. SIZE POSTS	DRIVE SHAFT SIZE INCHES	GEAR RATIO	NO. OF MOTORS & HP.	CABLES	TRAVEL	UFT SPEED ft/min	GRADE POST HEIGHT	BOAT BEAMS WOOD OPTION/ALU. OPTION
7,000	8 x 150 H 4 x 250 W 144 L	4.5" O.D.	2.875" O.D. 8 gauge	375:1	1 (611 HP 200WZA)	5/16 SSAC 7x19 304, 1P 25'	22"	66	7	2 x 8 x 144
10,000	8 x 230 H 5 x 350 W 150 L	4.5" O.D.	2.875" O.D. 8 gauge	375:1	1 (611 HP 200WZA)	5/16 SSAC 7x19 304, 2P 35'	11"	33	7	2 x 8 x 144
13,000	8 x 230 H 5 x 350 W 150 L	4.5" O.D.	2.875" O.D. 8 gauge	375:1	1 (611 HP 200WZA)	5/16 SSAC 7x19 304, 2P 35'	11"	33	7	2 x 8 x 144
16,000	10 x 250 H 6 x 470 W 158 L	4.5" O.D.	2.875" O.D. 8 gauge	375:1	1 (611 HP 200WZA)	5/16 SSAC 7x19 304, 2P 35'	11"	33	10	3 x 10 x 168
20,000	12 x 280 H 7 x 470 W 182 L	4.5" O.D.	2.875" O.D. 8 gauge	375:1	1 (611 HP 200WZA)	5/16 SSAC 7x19 304, 3P 60'	10'	22	10	3 x 10 x 192
24,000	12 x 280 H 7 x 470 W 182 L	4.5" O.D.	2.875" O.D. 8 gauge	375:1	1 (611 HP 200WZA)	5/16 SSAC 7x19 304, 3P 60'	10'	22	10	3 x 10 x 192

**RECEIVED**

AUG 17 2023

TOWN OF LONGBOAT KEY  
Planning, Zoning & Building



BOAT LIFTS

17030 Allico Center Rd.

Ft. Myers, FL 33967

Phone: (800) 669-3515

Fax: (239) 454-8641

DWG: 600112 Pwb 1-22-21