

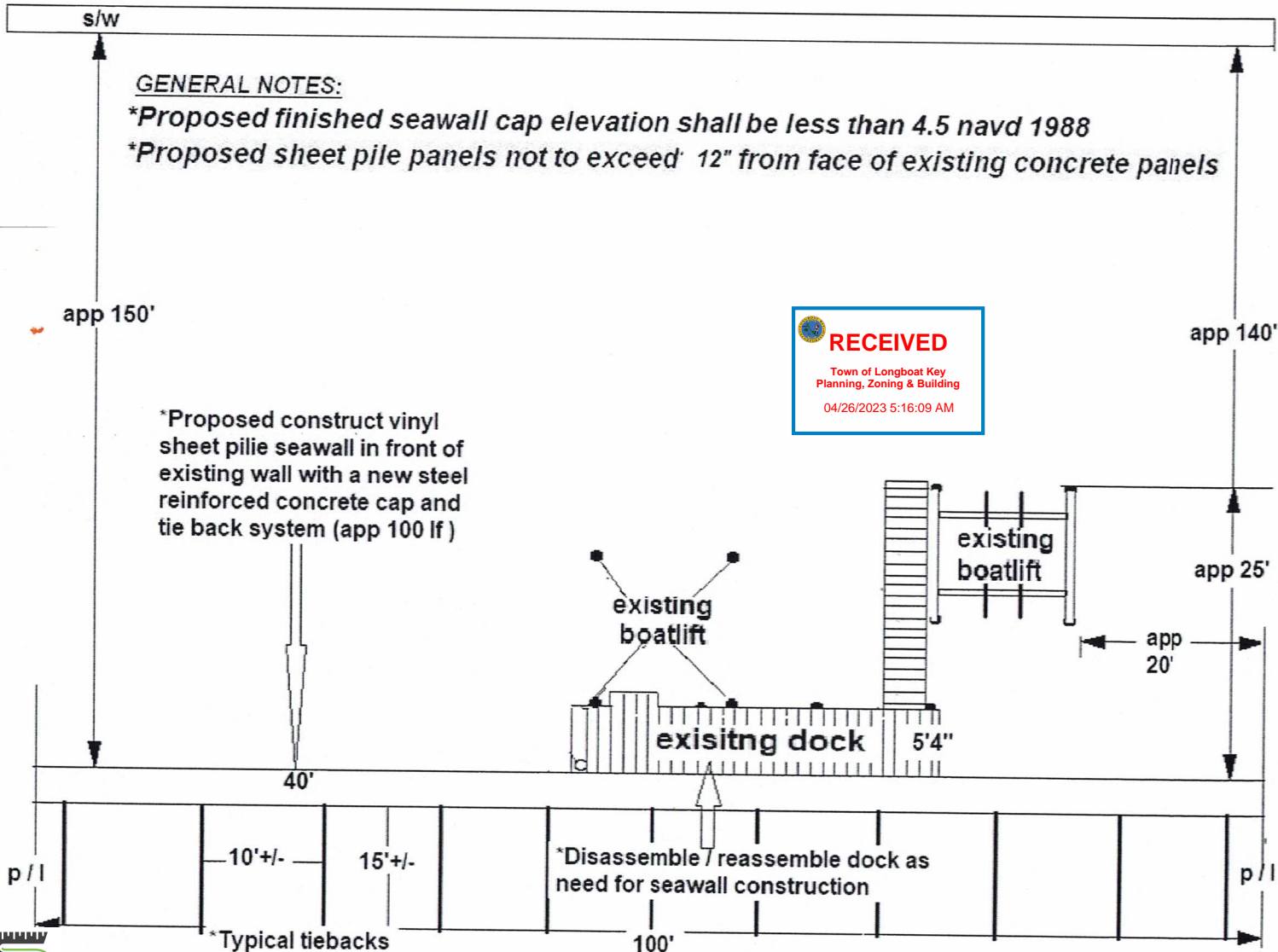
# WOOD DOCK AND SEAWALL

ADDRESS 12044 CORTEZ RD W CORTEZ, FL 34215 / MAILING ADDRESS P/O BOX 489 CORTEZ FL 34215  
Bradenton #941-792-5322 / Sarasota #941-952-0200  
E mail: wooddockandseawall@msn.com

## Site Plan for Seawall Construction

CHUCK REYNOLDS  
620 EMERALD HARBOR DR.  
LONGBOAT KEY, FL 34228  
513-295-8819

CER@SANTEN-HUGHES.COM



wooddockandseawall.com

CHUCK REYNOLDS  
 620 EMERALD HARBOR DR.  
 LONGBOAT KEY, FL 34228  
 513-295-8819  
 CER@SANTEN-HUGHES.COM

# WOOD DOCK AND SEAWALL

ADDRESS 12044 CORTEZ RD W CORTEZ, FL 34215 / MAILING ADDRESS P/O BOX 489 CORTEZ FL 34215  
 Bradenton # 941-792-5322 / Sarasota # 941-952-0200  
 E mail: wooddockandseawall@msn.com

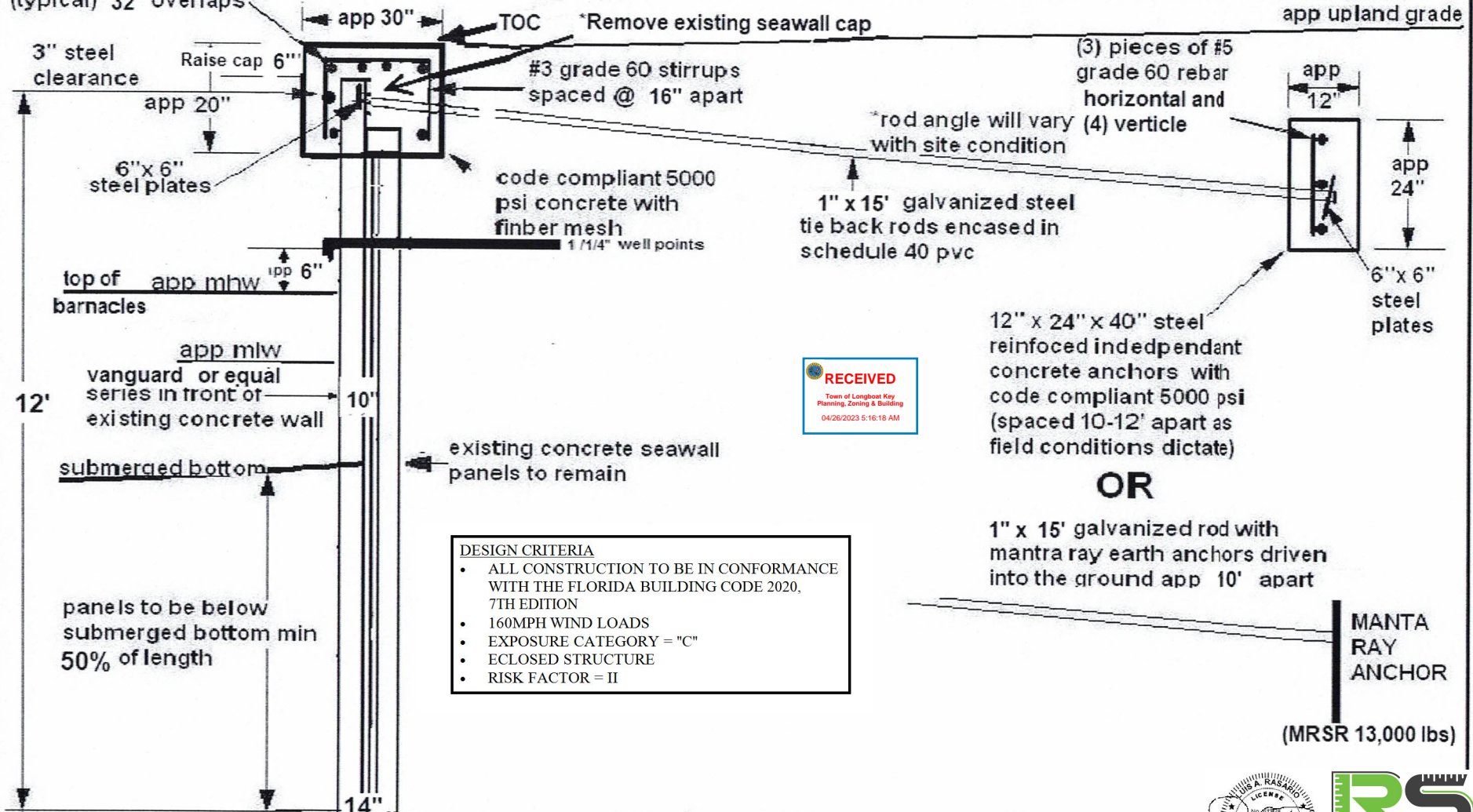
## SEAWALL CROSS SECTION

### GENERAL NOTES:

\*Proposed finished seawall cap elevation shall not exceed +4.5 navd 1988

\*Proposed sheet pile panels not to exceed 12" from face of existing concrete panels

(7) pieces #5 grade 60 continuous rebar (typical) 32" overlaps



- DESIGN CRITERIA**
- ALL CONSTRUCTION TO BE IN CONFORMANCE WITH THE FLORIDA BUILDING CODE 2020, 7TH EDITION
  - 160MPH WIND LOADS
  - EXPOSURE CATEGORY = "C"
  - ECLOSED STRUCTURE
  - RISK FACTOR = II

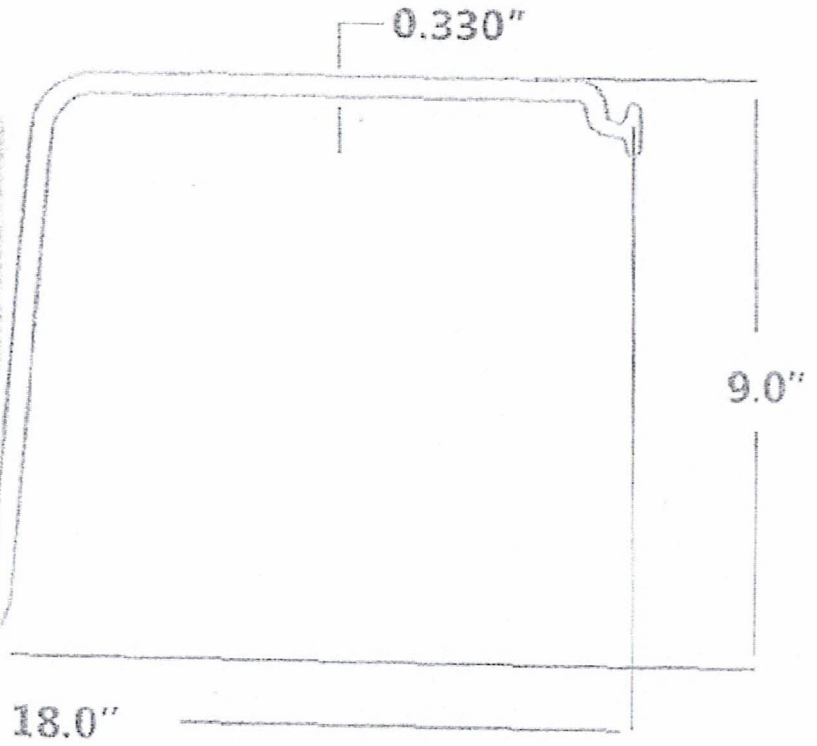
wooddockandseawall.com



REFERENCE ONLY

# VANGUARD STANDARD

CHUCK REYNOLDS  
620 EMERALD HARBOR DR.  
LONGBOAT KEY, FL 34228  
513-295-8819  
CER@SANTEN-HUGHES.COM



**RECEIVED**  
Town of Longboat Key  
Planning, Zoning & Building  
04/26/2023 5:16:27 AM

SHAPE	Z	STIFFNESS LB-IN <sup>2</sup> /FT	33.41
THICKNESS (IN)	0.330	ALLOWABLE MOMENT (M)FT-LB/FT	5,292
WIDTH (IN)	18	MODULUS OF ELASTICITY (E) PSI	380,000
DEPTH (IN)	9.00	ULTIMATE TENSILE STRESS PSI	6,500
SECTION MODULUS (Z) IN 3/FT	19.54	CREEP LIMITED STRESS PSI	3,200
MOMENT OF INERTIA (I) In 4/ft	87.93	COLOR	SLATE GREY OR CUSTOMIZED