

PHASE III

 **INVESTIGATE
BEFORE YOU
EXCAVATE**
"CALL SUNSHINE STATE ONE"
1-800-432-4770
TOLL FREE
FL. STATUTE 553.851 (1979) REQUIRES
MIN. OF 2 DAYS AND MAX. OF 3 DAYS
NOTICE BEFORE YOU EXCAVATE.

LANDSCAPE DEVELOPMENT PLANS FOR:

JOAN M. DURANTE PARK

THE TOWN OF LONGBOAT KEY, FLORIDA

SCHEDULE OF DRAWINGS:

LANDSCAPE

- L-1 GRADING PLAN
- L-2 LANDSCAPE PLAN
- L-3 LANDSCAPE DETAILS

IRRIGATION

- IR-1 IRRIGATION PLAN
- IR-2 IRRIGATION DETAIL SHEET

APRIL 24, 1996

PREPARED BY:

dwja

LANDSCAPE ARCHITECTS

DAVID W. JOHNSTON ASSOCIATES

1487 SECOND STREET SUITE E • SARASOTA, FL 34236 • (941) 366-3159

MADDOX AND ASSOCIATES ARCHITECTS

1266 FIRST STREET, SUITE 9 • SARASOTA, FL 34236 • (941) 955-7358

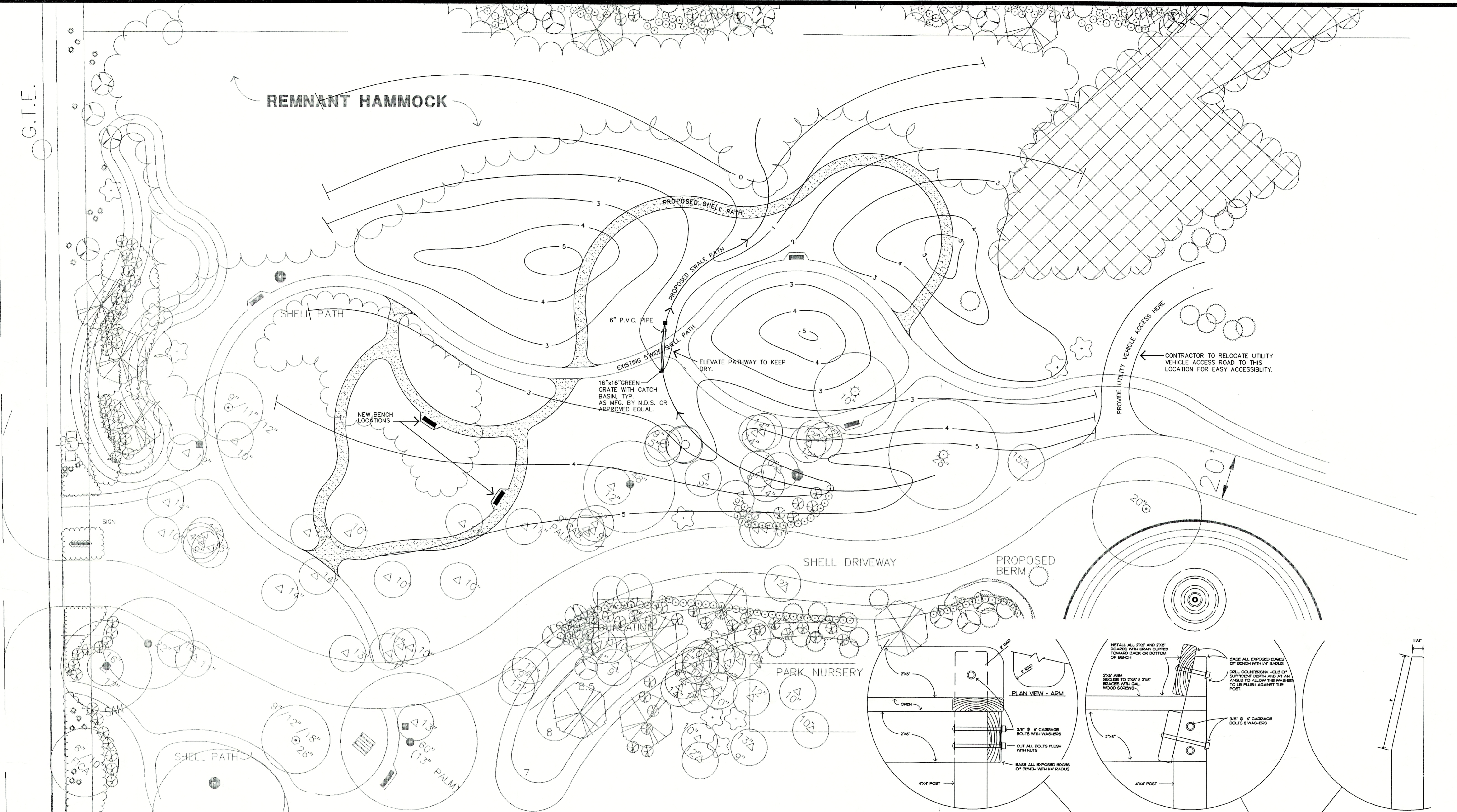
SET NO. _____

REVIEW SET

Copyright © 1995 DAVID W. JOHNSTON ASSOCIATES, THESE PLANS AND DESIGNS ARE THE PROPERTY OF DAVID W. JOHNSTON ASSOCIATES, INC. AND MAY NOT BE REPRODUCED OR OTHERWISE USED WITHOUT THE EXPRESS WRITTEN PERMISSION OF DAVID W. JOHNSTON ASSOCIATES, INC.

G.T.E.

REMNANT HAMMOCK



CONTRACTOR TO RELOCATE UTILITY VEHICLE ACCESS ROAD TO THIS LOCATION FOR EASY ACCESSIBILITY.

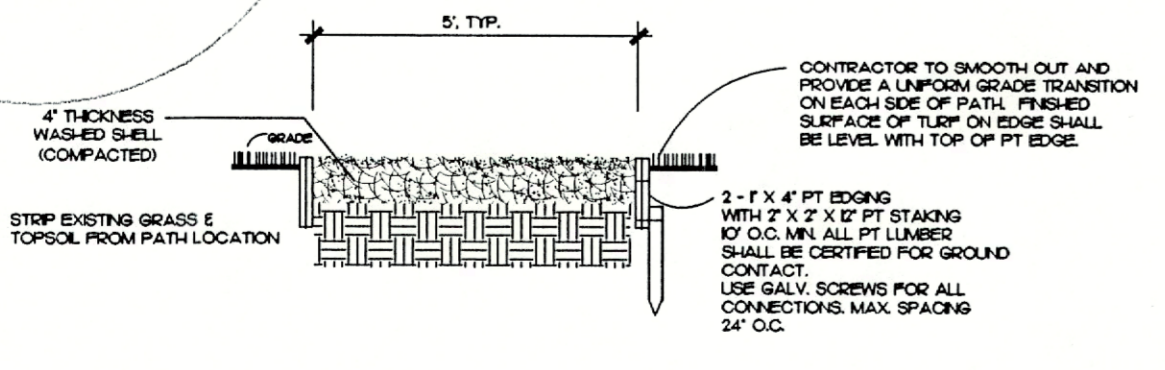
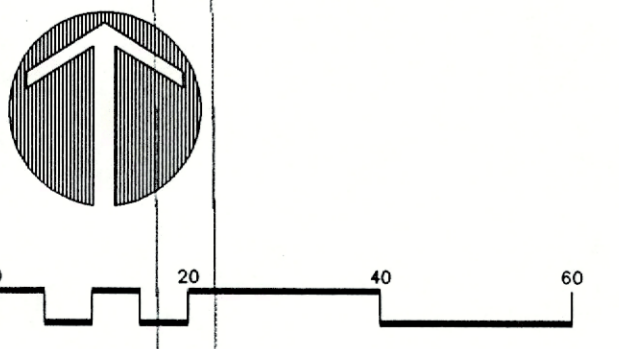
PROVIDE UTILITY VEHICLE ACCESS HERE

SHELL DRIVEWAY

PROPOSED BERM

PARK NURSERY

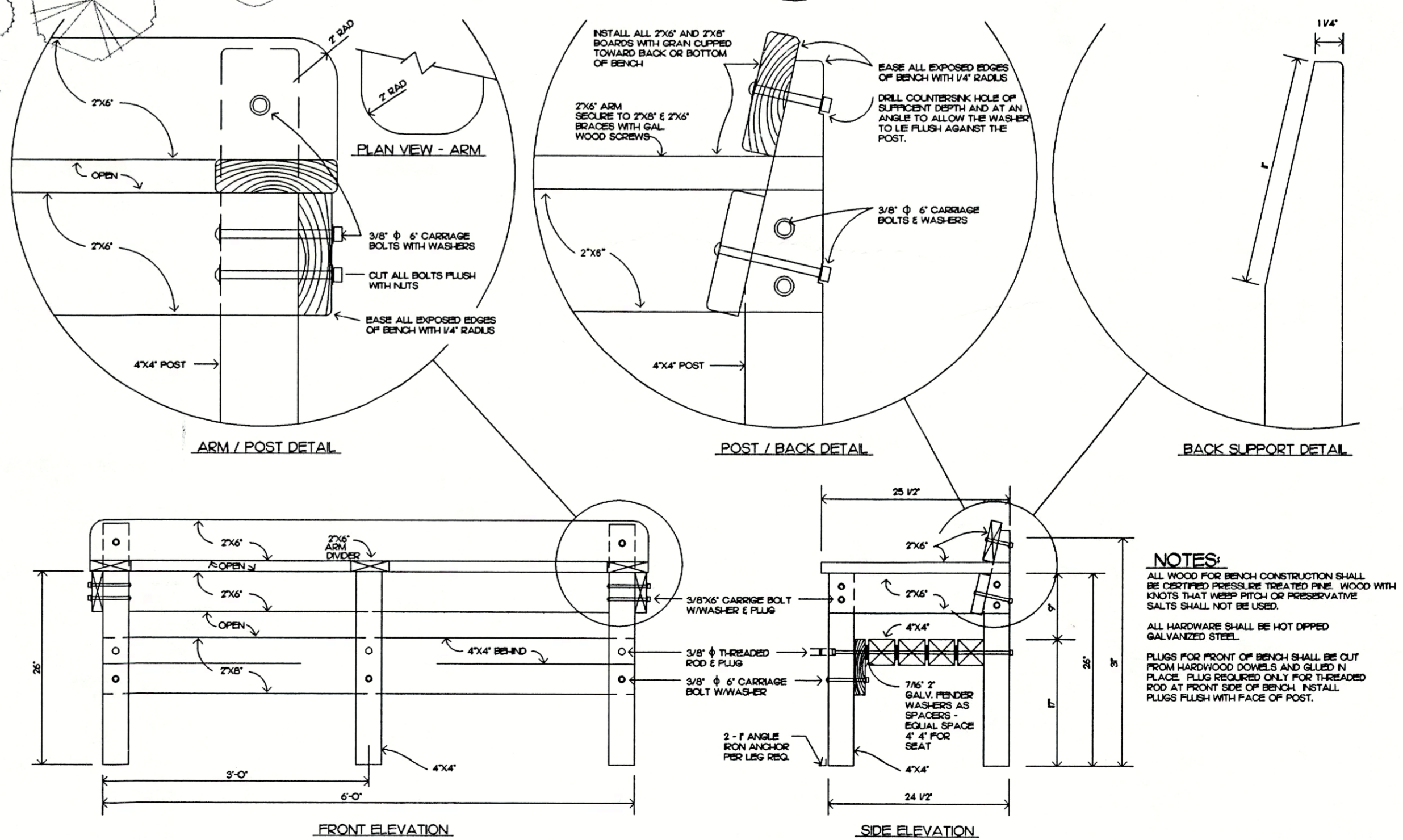
SHELL PATH



5' SHELL PATH WITH WOOD EDGE NOT TO SCALE

GENERAL NOTES:

CONTRACTOR SHALL CLEAR AND GRUB SITE AND PRUNE EXISTING TREES TO ENHANCE THE NATURAL CHARACTERISTICS.
PATHWAY AREAS ARE SHOWN FOR APPROXIMATE LOCATIONS ONLY. CONTRACTOR SHALL FIELD LOCATE PROPOSED PATHWAYS. ARCS SHALL BE CONNECTED ON TANGENTS ONLY. SMOOTH ARCS AND CONNECTIONS WILL ONLY BE ACCEPTED. LANDSCAPE ARCHITECT SHALL FIELD VERIFY PATH LOCATIONS PRIOR TO STAKING AND ONCE AGAIN PRIOR TO PLACEMENT OF EDGING.
CONTRACTOR SHALL GRADE SITE ACCORDING TO THE PLAN AND SPECIFICATIONS. PLAN SHALL BE FIELD ADJUSTED AS NEEDED. LANDSCAPE ARCHITECT SHALL FIELD REVIEW GRADING OPERATIONS PRIOR TO PLANTING.
CATCH BASINS AND FIELD DRAINS SHALL BE LOCATED AS SHOWN. BASINS SHALL BE CONNECTED WITH A 6\"/>



BENCH DETAILS NOT TO SCALE

NOTES:
ALL WOOD FOR BENCH CONSTRUCTION SHALL BE CERTIFIED PRESSURE TREATED PINE WOOD WITH KNOTS THAT MEET PITCH OR PRESERVATIVE SALS SHALL NOT BE USED.
ALL HARDWARE SHALL BE HOT DIPPED GALVANIZED STEEL.
PLUGS FOR FRONT OF BENCH SHALL BE CUT FROM HARDWOOD DOVELS AND GLEN IN PLACE. PLUG REQUIRED ONLY FOR THREADED ROD AT FRONT SIDE OF BENCH. INSTALL PLUG FLUSH WITH FACE OF POST.

dwja LANDSCAPE ARCHITECTS
DAVID W. JOHNSTON ASSOCIATES
1487 SECOND STREET SUITE E • SARASOTA, FL 34236 • (813) 366-3159

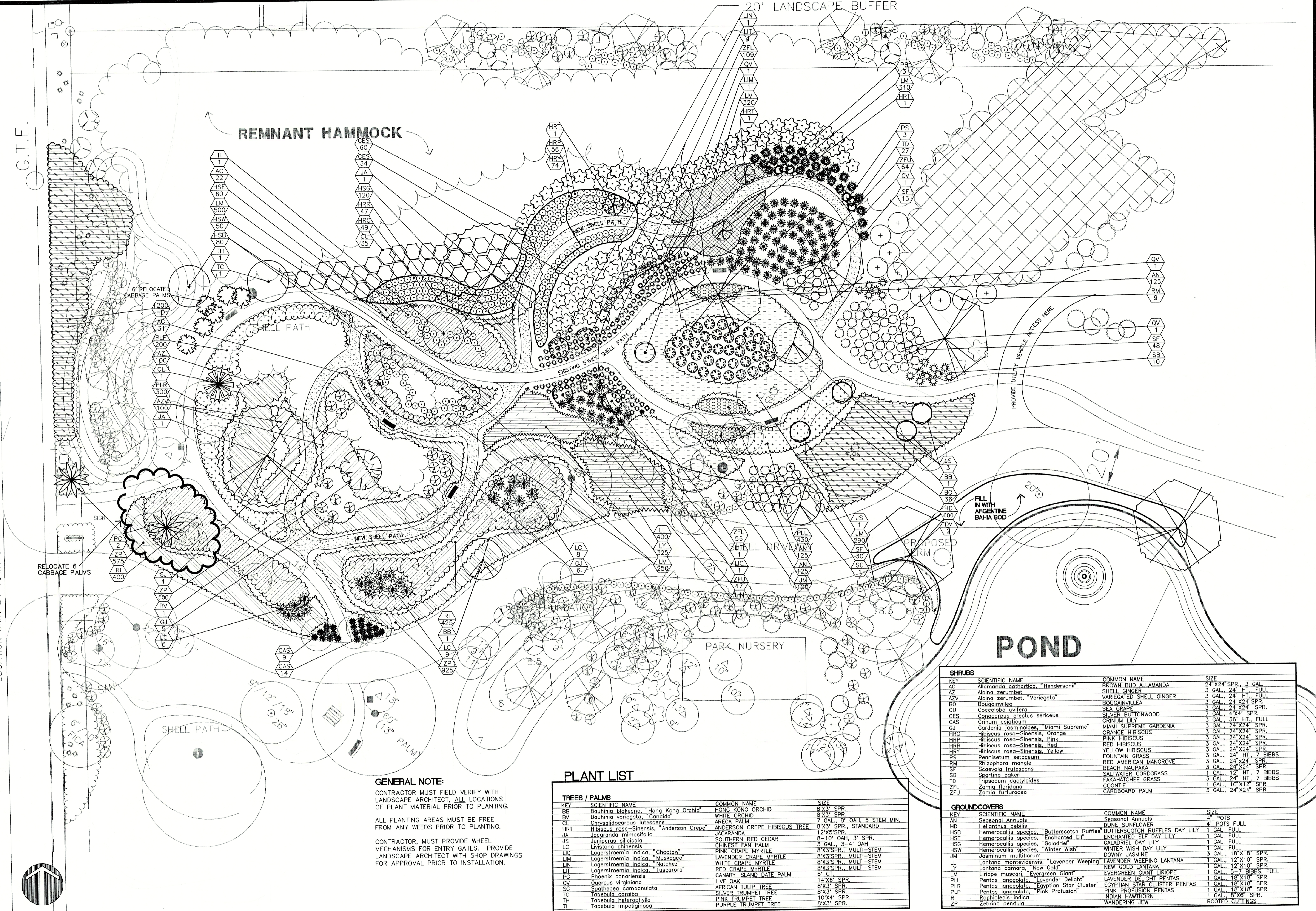
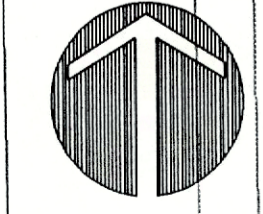
PROJECT NO.	95-57
SCALE	1"=20'-0"
DATE	4/24/96
DRAWN BY	MEB
ISSUED	4/24/96

LANDSCAPE DEVELOPMENT PLANS FOR
DURANTE PARK PHASE III
LONGBOAT KEY, FLORIDA

SHEET NO.
L-1

Copyright © 1995, David W. Johnston Associates, Inc. These plans and designs are the property of David W. Johnston Associates, Inc. and may not be reproduced or otherwise used without the express written permission of David W. Johnston Associates, Inc.

LOCATION SIGN BY TOWN OF L.B.K.



GENERAL NOTE:
 CONTRACTOR MUST FIELD VERIFY WITH LANDSCAPE ARCHITECT, ALL LOCATIONS OF PLANT MATERIAL PRIOR TO PLANTING.
 ALL PLANTING AREAS MUST BE FREE FROM ANY WEEDS PRIOR TO PLANTING.
 CONTRACTOR, MUST PROVIDE WHEEL MECHANISMS FOR ENTRY GATES. PROVIDE LANDSCAPE ARCHITECT WITH SHOP DRAWINGS FOR APPROVAL PRIOR TO INSTALLATION.

PLANT LIST

TREES / PALMS		
KEY	SCIENTIFIC NAME	COMMON NAME
BB	Bauhinia blokeana, "Hong Kong Orchid"	HONG KONG ORCHID
BV	Bauhinia variegata, "Candida"	WHITE ORCHID
CL	Chrysalidocarpus lutescens	ARECA PALM
HRT	Hibiscus rosa-Sinensis, "Anderson Crepe"	ANDERSON CREPE HIBISCUS TREE
JA	Jacaranda mimosifolia	JACARANDA
JS	Juniperus silicicola	SOUTHERN RED CEDAR
LC	Livistona chinensis	CHINESE FAN PALM
LIM	Lagerstroemia indica, "Choctaw"	PINK CRAPE MYRTLE
LIC	Lagerstroemia indica, "Muskege"	LAVENDER CRAPE MYRTLE
LIT	Lagerstroemia indica, "Natchez"	WHITE CRAPE MYRTLE
LIN	Lagerstroemia indica, "Tuscorora"	RED CRAPE MYRTLE
PC	Phoenix carolinensis	CANARY ISLAND DATE PALM
OV	Quercus virginiana	LIVE OAK
SC	Spathodea campanulata	AFRICAN TULIP TREE
TH	Tabebuia heterophylla	SILVER TRUMPET TREE
TI	Tabebuia impetiginosa	PINK TRUMPET TREE
		PURPLE TRUMPET TREE

SHRUBS			
KEY	SCIENTIFIC NAME	COMMON NAME	SIZE
AC	Allomanda cathartica, "Hendersonii"	BROWN BUD ALLAMANDA	24" X24" SPR., 3 GAL.
AZ	Alpina zerumbet	SHELL GINGER	3 GAL., 24" HT., FULL
AZV	Alpina zerumbet, "Variegata"	VARIEGATED SHELL GINGER	3 GAL., 24" HT., FULL
BO	Bougainvillea	BOUGAINVILLEA	3 GAL., 24" X24" SPR.
CU	Coccoloba uvifera	SEA GRAPE	3 GAL., 24" X24" SPR.
CES	Conocarpus erectus sericeus	SILVER BUTTWOOD	7 GAL., 4X4" SPR.
CAS	Critinum asiaticum	CRINUM LILY	3 GAL., 36" HT., FULL
GJ	Gardenia jasminoides, "Miami Supreme"	MIAMI SUPREME GARDENIA	3 GAL., 24" X24" SPR.
HRO	Hibiscus rosa-Sinensis, Orange	ORANGE HIBISCUS	3 GAL., 24" X24" SPR.
HRP	Hibiscus rosa-Sinensis, Pink	PINK HIBISCUS	3 GAL., 24" X24" SPR.
HRR	Hibiscus rosa-Sinensis, Red	RED HIBISCUS	3 GAL., 24" X24" SPR.
HRY	Hibiscus rosa-Sinensis, Yellow	YELLOW HIBISCUS	3 GAL., 24" X24" SPR.
PS	Pennisetum setaceum	FOUNTAIN GRASS	3 GAL., 24" HT., 7 BIBBS
RM	Rhizophora mangle	RED AMERICAN MANGROVE	3 GAL., 24" X24" SPR.
SF	Scaevola frutescens	BEACH NAUPAKA	3 GAL., 24" X24" SPR.
SB	Spartina bakeri	SALTWATER CORDGRASS	1 GAL., 12" HT., 7 BIBBS
TD	Tripsacum dactyloides	FAKAHATCHEE GRASS	3 GAL., 24" HT., 7 BIBBS
ZFL	Zamia floridana	COONTIE	1 GAL., 10" X18" SPR.
ZFU	Zamia furfuracea	CARDBOARD PALM	3 GAL., 24" X24" SPR.

GROUNDCOVERS			
KEY	SCIENTIFIC NAME	COMMON NAME	SIZE
AN	Seasonal Annuals	Seasonal Annuals	4" POTS FULL
HD	Helianthus debilis	BUTTERSCOTCH RUFFLES DAY LILY	1 GAL. FULL
HSB	Hemerocallis species, "Butterscotch Ruffles"	BUTTERSCOTCH RUFFLES DAY LILY	1 GAL. FULL
HSE	Hemerocallis species, "Enchanted Elf"	ENCHANTED ELF DAY LILY	1 GAL. FULL
HSG	Hemerocallis species, "Galadriel"	GALADRIEL DAY LILY	1 GAL. FULL
HSW	Hemerocallis species, "Winter Wish"	WINTER WISH DAY LILY	1 GAL. FULL
JM	Jasminum multiflorum	DOWNY JASMINE	3 GAL., 18" X18" SPR.
LI	Lantana montevidensis, "Lavender Weeping"	LAVENDER WEEPING LANTANA	1 GAL., 12" X10" SPR.
LY	Lantana camara, "New Gold"	NEW GOLD LANTANA	1 GAL., 12" X10" SPR.
LM	Liriope muscari, "Evergreen Giant"	EVERGREEN GIANT LIRIOPE	1 GAL., 5-7" BIBBS, FULL
PLL	Pentas lanceolata, "Lavender Delight"	LAVENDER DELIGHT PENTAS	1 GAL., 18" X18" SPR.
PLB	Pentas lanceolata, "Egyptian Star Cluster"	EGYPTIAN STAR CLUSTER PENTAS	1 GAL., 18" X18" SPR.
PLP	Pentas lanceolata, "Pink Profusion"	PINK PROFUSION PENTAS	1 GAL., 18" X18" SPR.
RI	Raphiolepis indica	INDIAN HAWTHORN	1 GAL., 6" X6" SPR.
ZP	Zebraia pendula	WANDERING JEW	ROOTED CUTTINGS

PLANTING PLAN

dwja LANDSCAPE ARCHITECTS
DAVID W. JOHNSTON ASSOCIATES
 1487 SECOND STREET SUITE E • SARASOTA, FL 34236 • (813) 366-3159

PROJECT NO.	95-57
SCALE	1"=20'-0"
DATE	4/24/96
DRAWN BY	MEB
ISSUED	4/24/96

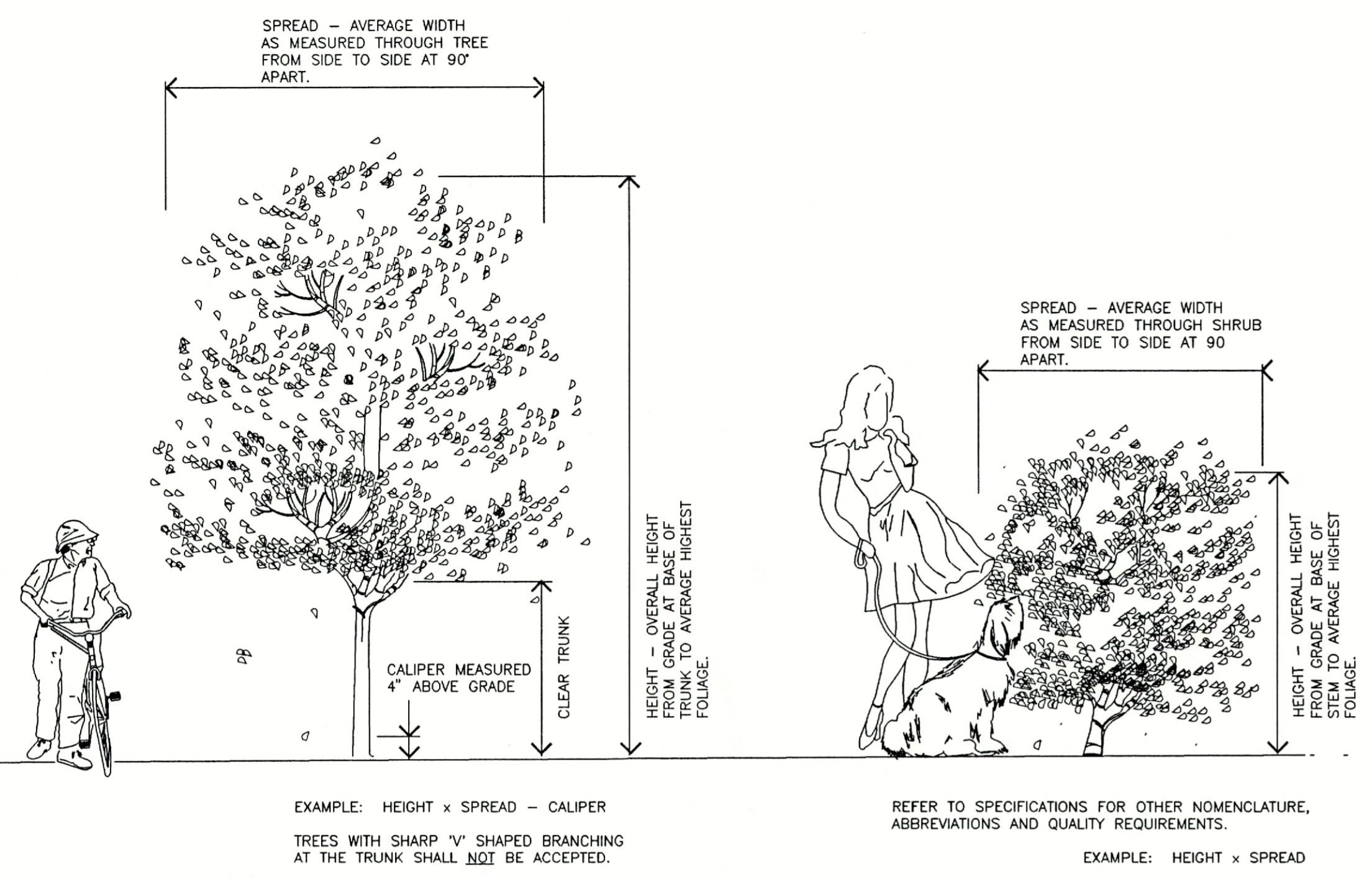
LANDSCAPE DEVELOPMENT PLANS FOR
DURANTE PARK PHASE III
 LONGBOAT KEY, FLORIDA

SHEET NO.

L-2

REVIEW SET

Copyright © 1995 David W. Johnston Associates, Inc. and may not be reproduced or otherwise used without the express written permission of David W. Johnston Associates, Inc.



TREE AND SHRUB SIZING SPECIFICATION

NOT TO SCALE

ALL PLANTINGS SHALL BE FERTILIZED WITH AGRIFORM 20-10-15 PLANTING TABLETS AT THE TIME OF INSTALLATION AND PRIOR TO COMPLETION OF BACKFILLING. AGRIFORM PLANTING TABLETS SHALL BE PLACED UNFORMALLY AROUND THE ROOT MASS AT THE DEPTH THAT IS BETWEEN THE MIDDLE AND THE BOTTOM OF THE ROOT MASS.

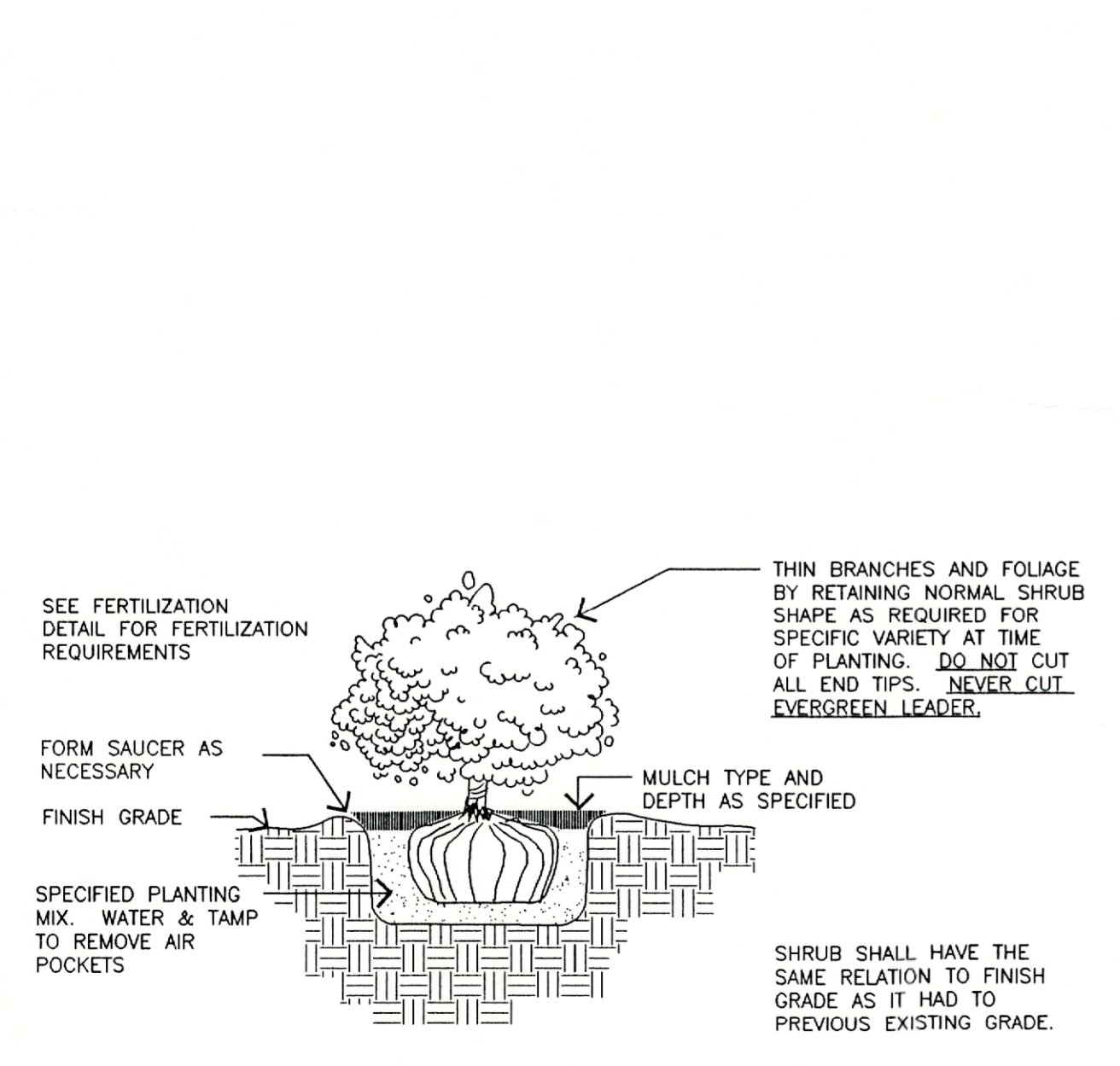
21 GRAM TABLET				10 GRAM TABLET	5 GRAM TABLET
1 GALLON CAN PLANTS	3 GALLON CAN PLANTS	5 GALLON CAN PLANTS	7 GALLON CAN PLANTS	LARGE TREES OR B & B TREES	MATURE PALMS
1 TABLET	2 TABLETS	3 TABLETS	4 TABLETS	TREES: 5 TABLETS/EA. 1/2" OF CALIPER SHRUBS: 1 TABLET FOR EA. 1" OF HEIGHT	10 TABLETS PER PALM
				WELL ROOTED LINERS	1 TO 2 TABLETS EACH
				SMALL GROUNDCOVERS OR PERENNIALS	1 TABLET EACH

AGRIFORM 20-10-15 PLANTING TABLETS AS MANUFACTURED BY: SIERRA CHEMICAL COMPANY 1001 YOSEMITE DRIVE MILPITAS, CA 95035

NOTE: LANDSCAPE ARCHITECT MAY MAKE A RANDOM SAMPLING OF PLANT PITS TO DETERMINE THE UNIFORMITY OF APPLICATION.

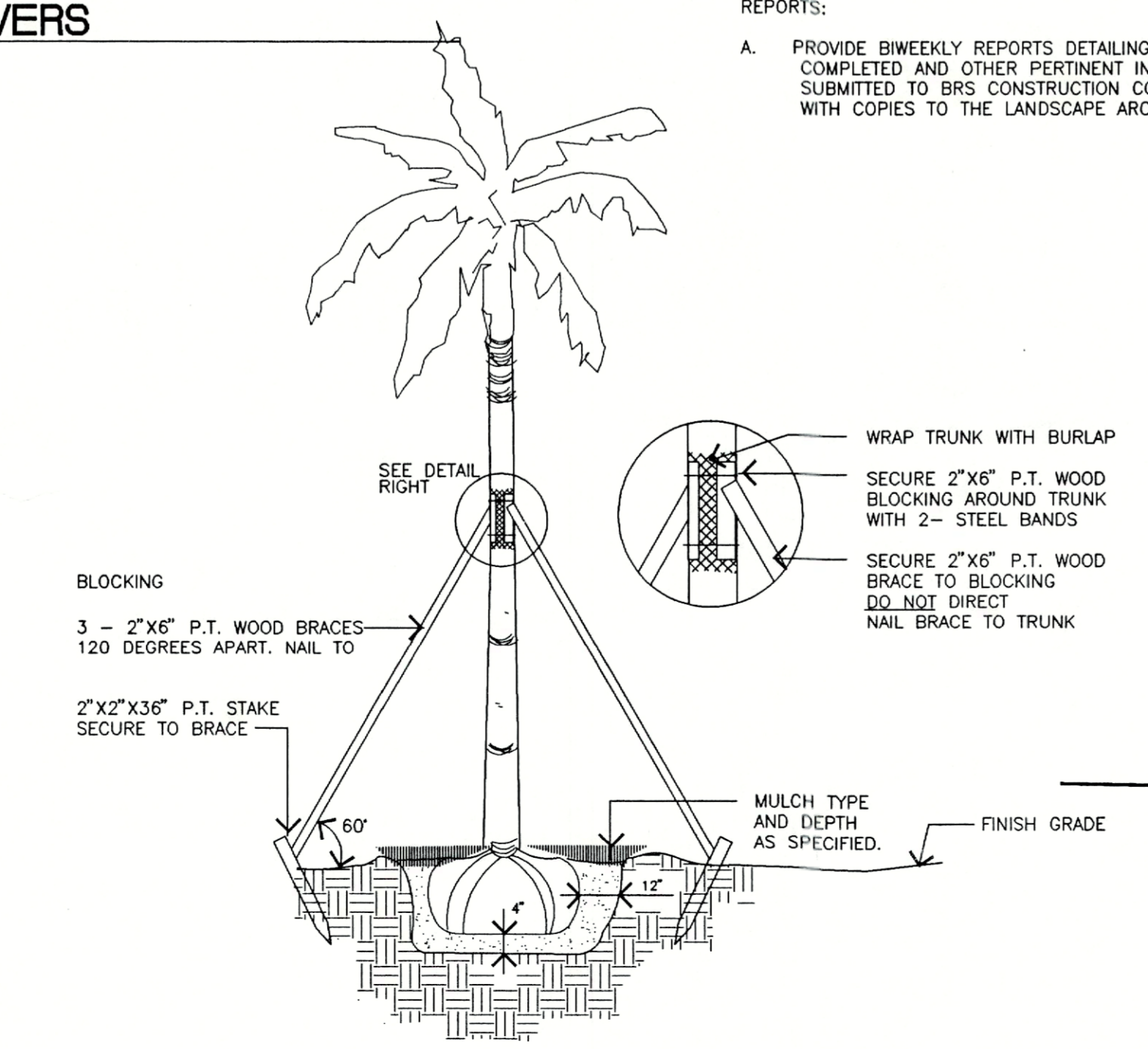
FERTILIZATION - TREES, SHRUBS AND GROUNDCOVERS

NOT TO SCALE



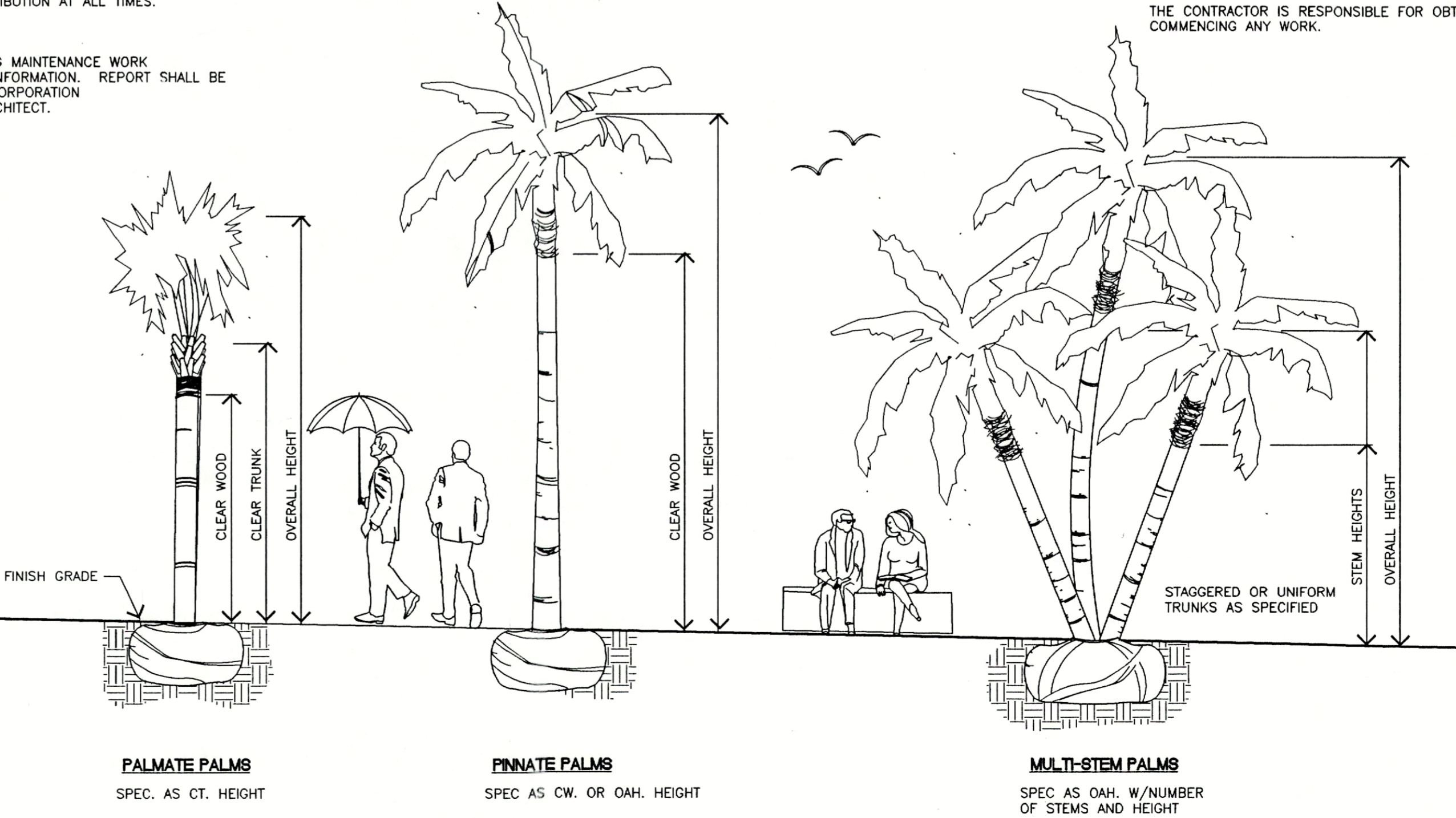
SHRUB PLANTING

NOT TO SCALE



PALM STAKING DETAIL

NOT TO SCALE



PALM SIZING SPECIFICATIONS

NOT TO SCALE

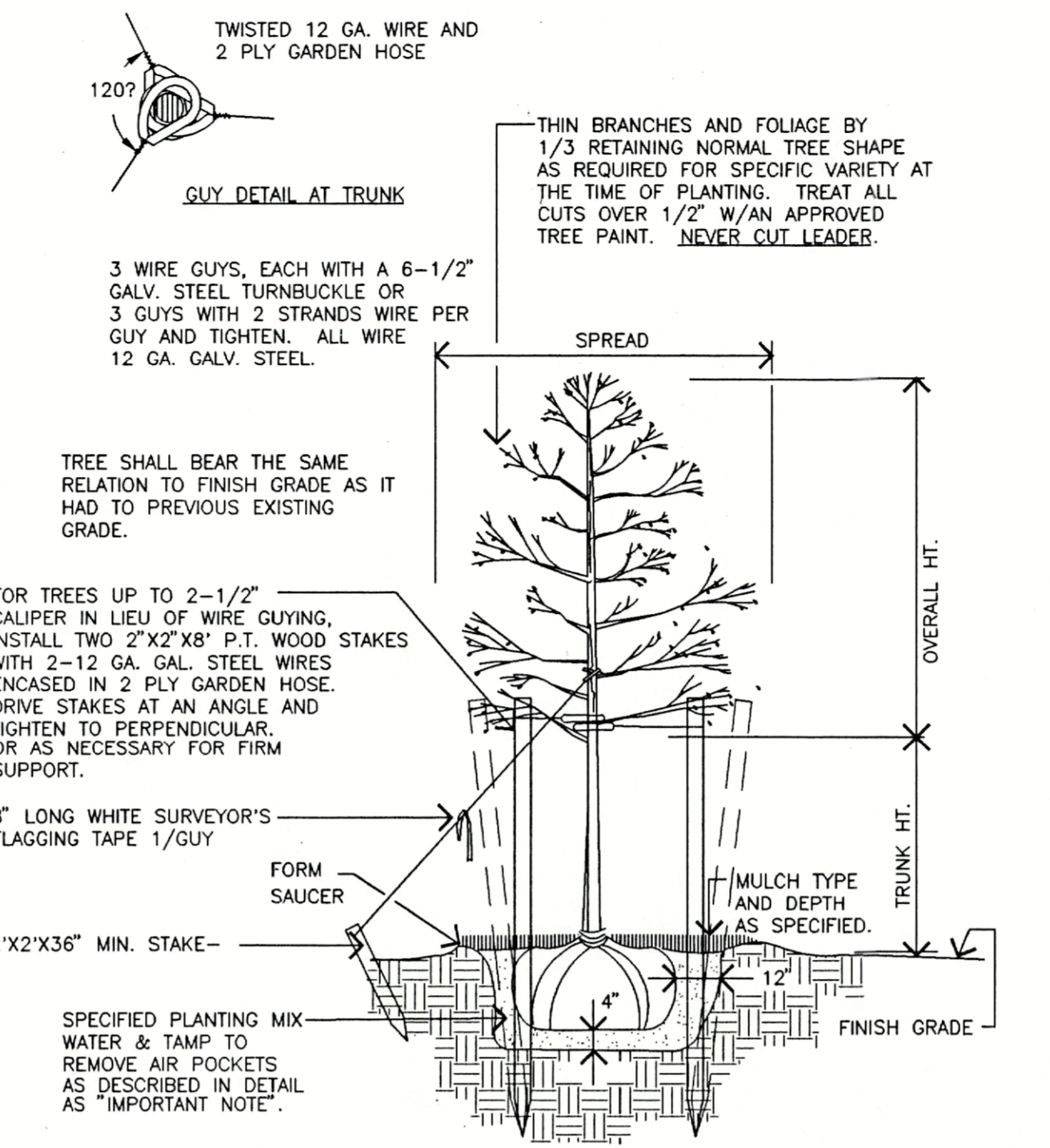
MAINTENANCE PROGRAM

UPON FINAL ACCEPTANCE BY THE OWNER, A MAINTENANCE PROGRAM FOR ALL PLANT MATERIAL AND IRRIGATION SHALL COMMENCE AND CONTINUE FOR NINETY (90) DAYS.

- PLANTING:**
- THE CONTRACTOR SHALL MAINTAIN ALL NEWLY PLANTED MATERIALS BY WATERING, PRUNING, CULTIVATING, FERTILIZING, AND WEEDING AS REQUIRED FOR HEALTHY GROWTH AND WEED FREE PLANTING BEDS OR SAUCERS.
 - RESTORE PLANTING SAUCERS, TIGHTEN AND REPAIR STAKES, RESET TREES OR PALMS TO PROPER GRADE OR VERTICAL POSITION AS REQUIRED.
 - SPRAY MATERIAL AS REQUIRED TO KEEP FREE FROM INSECTS AND DISEASE.
- IRRIGATION:**
- MAINTAIN THE INSTALLED IRRIGATION SYSTEM IN AN OPERABLE CONDITION AT ALL TIMES.
 - CHECK FOR LINE BREAKS AND CLEAN BUBBLERS OF DEBRIS SO THAT THEY PROVIDE UNIFORM WATER DISTRIBUTION AT ALL TIMES.
- REPORTS:**
- PROVIDE BIWEEKLY REPORTS DETAILING MAINTENANCE WORK COMPLETED AND OTHER PERTINENT INFORMATION. REPORT SHALL BE SUBMITTED TO BRS CONSTRUCTION CORPORATION WITH COPIES TO THE LANDSCAPE ARCHITECT.

TREE PLANTING, STAKING AND PRUNING

NOT TO SCALE



IMPORTANT NOTE:

- ALL TREES, PALMS AND B&B MATERIAL SHALL BE PLANTED AS FOLLOWS:
- DIG HOLE.
 - SPRINKLE TERRASORB EVENLY OVER BACKFILL SOIL NEXT TO HOLE SO THAT TERRASORB WILL THOROUGHLY MIX WITH SOIL DURING BACKFILLING OPERATIONS.
 - BACKFILL WITH 4" OF SOIL AND PREPARE SHELF FOR ROOTBALL TO SET ONTO.
 - PLACE ROOTBALL IN HOLE AND STRAIGHTEN TREE.
 - BACKFILL 25% OF DEPTH. WATER AND TAMP IN WHILE MAINTAINING THE STRAIGHTENED TREE.
 - BACKFILL TO 50% DEPTH. WATER AND TAMP IN WHILE MAINTAINING THE STRAIGHTENED TREE.
 - BACKFILL TO 75% DEPTH. WATER AND TAMP IN WHILE MAINTAINING THE STRAIGHTENED TREE.
 - BACKFILL THE REST AND THOROUGHLY WATER IN TREE MAKING SURE THE TRUNK IS DIRECTLY PERPENDICULAR TO THE FINISHED GRADE.
- NOTE:**
ANY DEVIATION FROM THE ABOVE PROCESS WILL NOT BE CONSIDERED AS PER INDUSTRY STANDARDS AND WILL BE CAUSE FOR REJECTION OF THE WORK.

LANDSCAPE NOTES:

INSTALLATION OF WORK SHALL BE COORDINATED WITH OTHER CONTRACTORS IN SUCH A MANNER AS TO ALLOW FOR A SPEEDY AND ORDERLY COMPLETION OF ALL WORK ON THE SITE.

CONTRACTORS ARE ADVISED TO REFER TO THE SPECIFICATIONS, CONTRACT DOCUMENTS, AND PLAN SHEETS FOR A MORE DETAILED DISCLOSURE OF PERFORMANCE STANDARDS AND REQUIREMENTS.

THE CONTRACTOR IS CAUTIONED TO BE AWARE OF UNDERGROUND UTILITIES. PRIOR TO EXCAVATION, THE CONTRACTOR SHALL CHECK WITH THE JOB SITE SUPERINTENDENT, CANDY, AND SARASOTA COUNTY UTILITIES FOR LOCATION OF ALL UTILITIES A MINIMUM OF 48 HOURS BEFORE BEGINNING WORK.

ALL SOD SHALL BE PASPALLUM NOTATUM ARGENTINE - SAND GROWN CERTIFIED ARGENTINE BAHIA SOD. THE CONTRACTOR SHALL BE RESPONSIBLE FOR ALL FINISH GRADING IN SOD AREAS. HAND RAKE PRIOR TO INSTALLING SOD. CONTRACTOR TO CUT AND MATCH IN ALL NEW SOD TO EXISTING SOD. STAGGER AND KICK ALL JOINT TIGHT. ALL SOD TO BE ROLLED IMMEDIATELY AFTER INSTALLATION.

CONTRACTOR SHALL APPLY MINIMUM 2 APPLICATIONS OF ROUNDUP HERBICIDE (OR APPROVED EQUAL) ON EXISTING TURF WHERE IT IS REQUIRED TO BE REMOVED FOR PLANTING. ROUNDUP MUST BE SPRAYED PRIOR TO COMMENCING ANY GRADING OPERATIONS. CONTRACTOR SHALL REVIEW TURF KILL WITH LANDSCAPE ARCHITECT OR OWNER REPRESENTATIVE FOR APPROVAL. ALL HERBICIDES MUST BE APPLIED BY LICENSED APPLICATORS PER MANUFACTURERS RECOMMENDED RATES AND INSTRUCTIONS. POST ALL APPLICATIONS.

CONTRACTOR SHALL INSTALL ALL FILL TO CONSTRUCT BERMING TO BLEND IN WITH EXISTING GRADE. FILL MATERIAL SHALL BE SECOND CUT CLEAN FILL SUITABLE FOR PLANT GROWTH. SUBMIT SAMPLE OF SECOND CUT CLEAN FILL TO LANDSCAPE ARCHITECT FOR REVIEW. ALL EXISTING TURF AREAS TO BE TRACTOR GRADED TO A SMOOTH UNIFORM GRADE. NO FILL IS TO BE PLACED AROUND EXISTING TREES.

ANY EXCESS SOIL OR DEBRIS FROM CONSTRUCTION SHALL BE REMOVED FROM THE SITE AND TAKEN TO THE COUNTY LAND FILL OR OTHER LOCATION AS APPROVED.

MULCH ALL NEW PLANTING WITH 2" (OR AS NOTED OTHERWISE ON PLAN) OF SHREDDED, GRADE 'B' CYPRESS MULCH.

THE LANDSCAPE CONTRACTOR SHALL HAND WATER ALL PALMS AND FIELD GROWN TREES AND SHRUBS A MINIMUM OF FIVE (5) TIMES A WEEK. THE LANDSCAPE CONTRACTOR SHALL BE LIABLE FOR REPLACING TREES AND SHRUBS EXPERIENCING TRANSPLANT SHOCK DUE TO LACK OF WATER AT ANY TIME DURING THE COURSE OF LANDSCAPE INSTALLATION.

ALL TREES AND PALMS WITHIN SOD AREAS SHALL BE MULCHED WITH 3" MIN. DIAMETER RING 2" DEEP STAKES WHENEVER POSSIBLE SHALL BE WITHIN MULCH RINGS.

THE LANDSCAPE CONTRACTOR SHALL BE RESPONSIBLE FOR REMOVAL OF ALL EXISTING SOD, DEBRIS, WEEDS, AND HANDWORK UNDER EXISTING TREES IN PREPARATION FOR ANY PLANTING.

CONTRACTOR SHALL REPAIR ANY AREAS DISTURBED DURING THE COMPLETION OF WORK INCLUDING RESODDING OF IRRIGATION TRENCHES AND PLANTING PITS RESULTING FROM MATERIAL RELOCATIONS.

AN AUTOMATIC IRRIGATION SYSTEM WILL BE INSTALLED TO PROVIDE 100% COVERAGE ON ALL NEW PLANT MATERIAL.

ALL NEW PLANT MATERIALS USED SHALL CONFORM TO THE STANDARDS FOR FLORIDA NO. 1 OR BETTER AS ESTABLISHED IN "GRADES AND STANDARDS FOR NURSERY PLANTS" PART I AND PART II STATE OF FLORIDA DEPARTMENT OF AGRICULTURE.

THE LANDSCAPE CONTRACTOR SHALL INCORPORATE TERRA-SORB INTO ALL PLANTING PITS AS PER MANUFACTURERS RECOMMENDATIONS. TERRA-SORB MANUFACTURED BY INDUSTRIAL SERVICES INTERNATIONAL, INC., BRADENTON, FLORIDA; (800) 227-6727

ALL PLANT MATERIAL SHALL BE SUBJECT TO APPROVAL BY THE LANDSCAPE ARCHITECT PRIOR TO PURCHASE BY CONTRACTOR.

CONTRACTOR SHALL STAKE ALL TREES AS PER DETAILS.

ALL PLANT MATERIAL SHALL BE FERTILIZED ACCORDING TO THE CHART AS SHOWN ON THIS SHEET.

ALL TREE RINGS EVIDENCING WEED GROWTH SHALL BE SPRAYED WITH ROUND-UP AT THE MFG RECOMMENDED APPLICATION RATE. TREE RINGS AND ALL BEDS ARE TO BE WEED FREE AT FINAL INSPECTION FOR ACCEPTANCE.

CONTRACTOR IS RESPONSIBLE FOR RESTORING ALL DISTURBED AREAS CREATED BY THE CONSTRUCTION. THIS SHALL INCLUDE ALL SOD AND HAND RAKING TO RESTORE A SMOOTH UNIFORM SURFACE. ALSO REMOVAL OF ANY DEBRIS ENCOUNTERED OR CREATED FROM CONSTRUCTION OPERATIONS. ANY MATERIAL REMOVED FROM THE SITE SHALL BE TAKEN TO A SANITARY LANDFILL OR OTHER APPROVED LOCATION.

THE OWNER RESERVES THE RIGHT TO MODIFY TREE PLACEMENT IN THE FIELD AS CONDITIONS DICTATE. PLANT MATERIAL SHALL BE INSTALLED PRIOR OR CONCURRENT WITH THE IRRIGATION BUBBLER SYSTEM.

THE CONTRACTOR IS RESPONSIBLE FOR OBTAINING ALL NECESSARY PERMITS PRIOR TO COMMENCING ANY WORK.

LANDSCAPE ARCHITECTS
DAVID W. JOHNSTON ASSOCIATES
 1487 SECOND STREET SUITE E • SARASOTA, FL 34236 • (813) 366-3159

PROJECT NO.	96-57
SCALE	1"=20'-0"
DATE	3/26/96
DRAWN BY	MS
ISSUED	4/2/96

LANDSCAPE DEVELOPMENT PLANS FOR
DURANTE PARK PHASE III
 LONGBOAT KEY, FLORIDA

SHEET NO.
L-3
 REVIEW SET

PLANTING DETAILS